

IF IN DOUBT ASK

11KV, 630A, 21KA FOR 3SEC, 50HZ, 3WAY, NON EXTENSIBLE, OUTDOOR, MANUAL, SF6 INSULATED RMU (TYPE:VRN)	
SR NO.	CONFIGURATION
01	VRN
	QUANTITY
	00

NO	REVISION	SIGN	DATE	NO	REVISION	SIGN	DATE	THIRD ANGLE PROJECTION	SIGN / NAME		
									DRN	AAS	
								ALL DIM'S ARE IN mm	CHD	AAS	11KV 3 WAY SF6 INSULATED NON EXTENSIBLE OUTDOOR RMU (TYPE:VRN)
								SCALE: NTS	APPD	RVS	
									DATE: 20.08.2018		DRG. NO. GA_VRN_00
											ISS. NO. 1



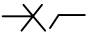
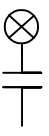
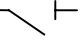
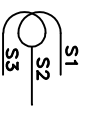


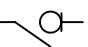

IF IN DOUBT ASK

11KV, 630A, 21KA FOR 3SEC, 50HZ, 3WAY, NON EXTENSIBLE, OUTDOOR, MANUAL, SF6 INSULATED RMU (TYPE:VRN)

S.R. NO	DRAWING NO.	DESCRIPTION
1	GA_VRN_01	INDEX FOR 11KV 3 WAY SF6 INSULATED NON EXTENSIBLE OUTDOOR RMU (TYPE:VRN)
2	GA_VRN_02	LEGEND DETAILS FOR 11KV 3 WAY SF6 INSULATED NON EXTENSIBLE OUTDOOR RMU (TYPE:VRN)
3	GA_VRN_03	GENERAL ARRANGEMENT FOR 11KV 3 WAY SF6 INSULATED NON EXTENSIBLE OUTDOOR RMU (TYPE:VRN)
4	GA_VRN_04	SINGLE LINE DIAGRAM FOR 11KV 3 WAY SF6 INSULATED NON EXTENSIBLE OUTDOOR RMU (TYPE:VRN)
5	GA_VRN_05	BILL OF MATERIAL FOR 11KV 3 WAY SF6 INSULATED NON EXTENSIBLE OUTDOOR RMU (TYPE:VRN)
6	GA_VRN_06	TYPICAL ARRANGEMENT OF CABLE TERMINATION FOR RING SWITCH
7	GA_VRN_07	TYPICAL ARRANGEMENT OF CABLE TERMINATION FOR CIRCUIT BREAKER
8	GA_VRN_08	CONTROL SCHEMATIC FOR VPIS
9	GA_VRN_09	TYPICAL CONTROL SCHEMATIC FOR RELAY
10	GA_VRN_10	MARSHALLING BOX WIRING DIAGRAM
11	GA_VRN_11	RATING PLATE FOR VRN
12	GA_VRN_12	FOUNDATION DETAILS FOR VRN

NO	REVISION	SIGN	DATE	NO	REVISION	SIGN	DATE	THIRD ANGLE PROJECTION	DATE: 20.08.2018	SIGN / NAME	INDEX FOR 11KV 3 WAY SF6 INSULATED NON EXTENSIBLE OUTDOOR RMU (TYPE:VRN)	ISS. NO. 1
								ALL DIM'S ARE IN mm SCALE: NTS	DRN CHD APPD	AAS AAS RVS		

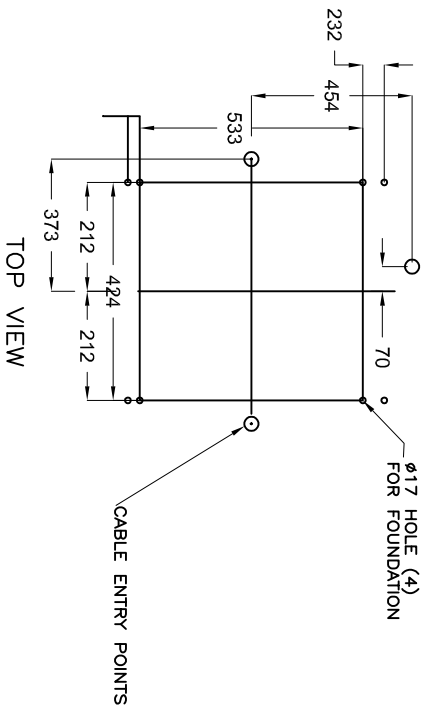
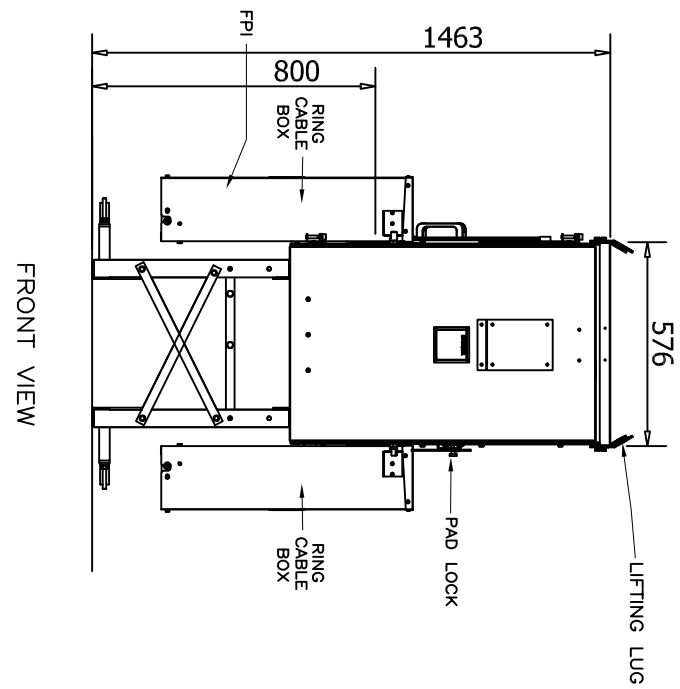
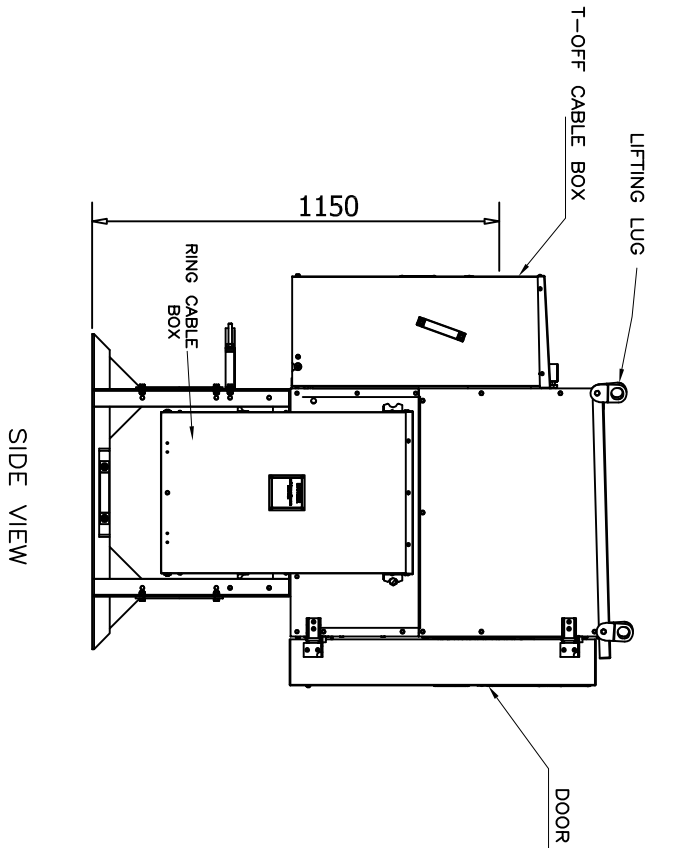
IF IN DOUBT ASK

SYMBOL	DESCRIPTION
	CIRCUIT BREAKER
	CAPACITIVE VOLTAGE INDICATOR
	OFF LOAD BREAK SWITCH
	PROTECTION CT
	PROTECTION RELAY
	TRIP COIL
	ON LOAD BREAK SWITCH
	FPI WITH CBCT

NO	REVISION	SIGN	DATE	NO	REVISION	SIGN	DATE	THIRD ANGLE PROJECTION	DATE: 20.08.2018	SIGN / NAME	LEGEND DETAILS FOR 11KV 3 WAY SF6 INSULATED NON EXTENSIBLE OUTDOOR RMU (TYPE:VRN)
								ALL DIM'S ARE IN mm	DRN	AAS	LEGEND DETAILS FOR 11KV 3 WAY SF6 INSULATED NON EXTENSIBLE OUTDOOR RMU (TYPE:VRN)
							SCALE: NTS	CHD	AAS		
								APPD	RVS		



GENERAL ARRANGEMENT FOR 11KV, 3WAY, NON EXTENSIBLE, OUTDOOR, MANUAL, SF6 INSULATED RMU (TYPE:VRN)



- NOTE:-
1. ALL DIMENSIONS ARE SUBJECTED TO MANUFACTURING TOLERANCE $\pm 5\%$, UNLESS OTHERWISE STATED.
 2. UNIT SHALL BE EPOXY POWDER COATED WITH DA GRAY 632 OR RAL 7032.
 3. CLADDING MATERIAL THICKNESS IS 2MM GALVATITE & MAIN TANK THICKNESS IS 3MM STAINLESS STEEL.
 4. 10% RMU SHALL BE OFFER AT THE TIME OF INSPECTION.

NO	REVISION	SIGN	DATE	NO	REVISION	SIGN	DATE	THIRD ANGLE PROJECTION	SIGN / NAME		
									DRN	AAS	AAS
								ALL DIMN'S ARE IN mm	APPD		
								SCALE: NTS	R/S		
								DATE: 20.08.2018			
								DRG.NO.: GA_VRN_03			
								ISS. NO. 1			

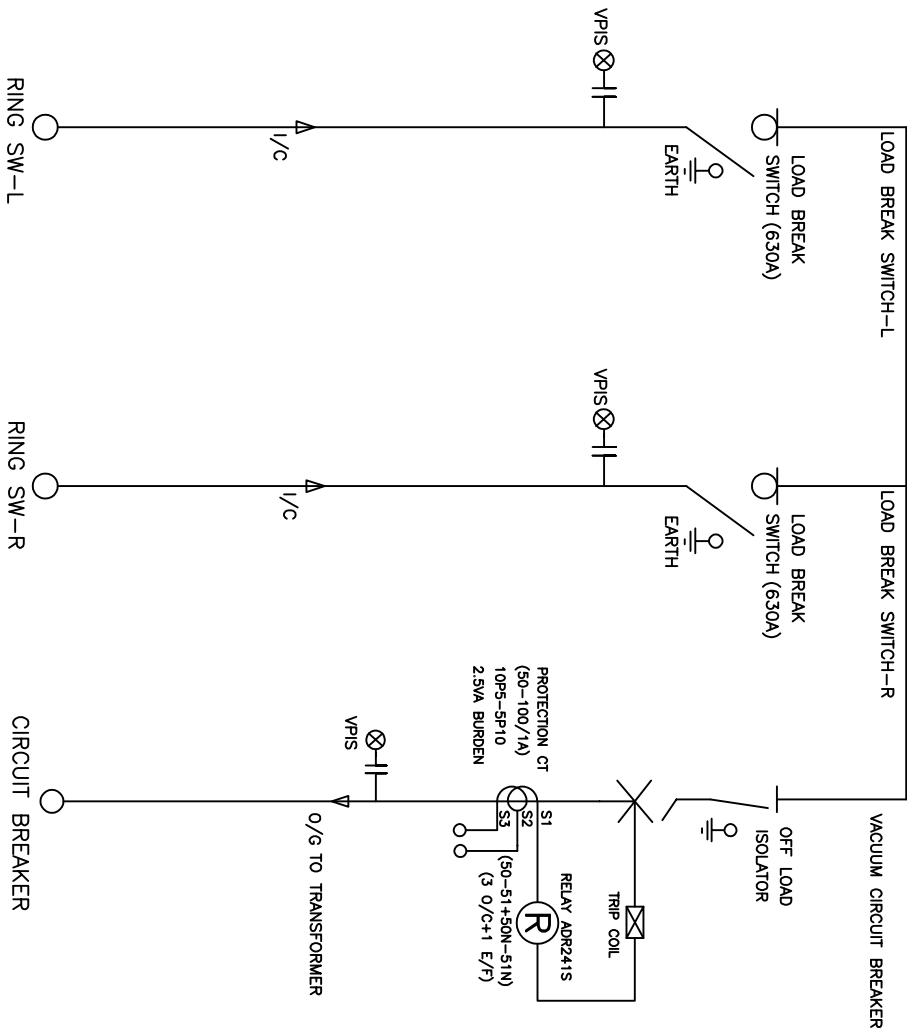


IF IN DOUBT ASK

IF IN DOUBT ASK

SINGLE LINE DIAGRAM FOR 11KV, 3WAY, NON EXTENSIBLE, OUTDOOR, MANUAL, SF6 INSULATED RMU (TYPE:VRN)

11KV, 630A, 21KA, 50HZ SF6 INSULATED NON EXTENSIBLE RMU (TYPE:VRN)



NO	REVISION	SIGN	DATE	NO	REVISION	SIGN	DATE	THIRD ANGLE PROJECTION	SIGN / NAME		
									DRN	CHD	AAS
								ALL DIM'S ARE IN mm SCALE: NTS	APPD	RVS	
								DATE: 20.08.2018			
								DRG.NO.: GA_VRN_04			
								SINGLE LINE DIAGRAM FOR 11KV 3 WAY SF6 INSULATED NON EXTENSIBLE OUTDOOR RMU (TYPE:VRN)			
								ISS. NO. 1			



IF IN DOUBT ASK

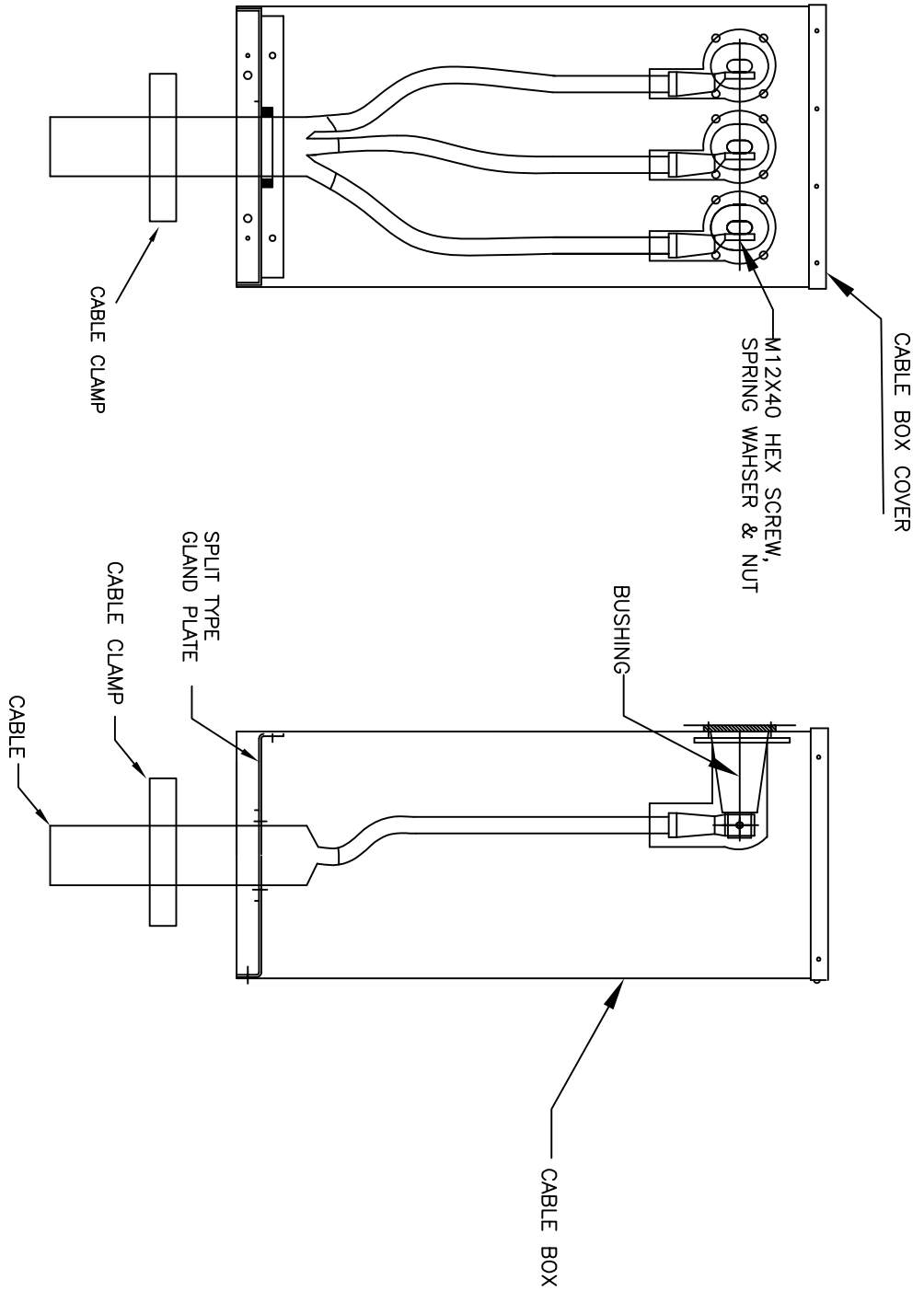
BILL OF MATERIAL FOR 11KV, 3WAY, NON EXTENSIBLE, OUTDOOR,MANUAL, SF6 INSULATED RMU (TYPE:VRN) _____

SR.	DESCRIPTION	QTY.	MAKE	DETAILS
1	RING SWITCH	2 NOS	LUCY ELECTRIC	11KV,630A,21KA FOR 3 SECS
2	CIRCUIT BREAKER	1 NO	LUCY ELECTRIC	11KV,630A,21KA FOR 3 SECS
3	VACCUUM INTERRUPTER (1X3)	1 SET	SHAANXI/CHENGDU/EQL	11KV,630A,21KA FOR 3 SECS
4	SELECTOR SWITCH/OFF LOAD ISOLATOR	1 NO	LUCY ELECTRIC	11KV,630A,21KA FOR 3 SECS
5	RING BUSHING (1X3)	2 SETS	LUCY ELECTRIC	SUITABLE FOR 11KV SYSTEM
6	T-OFF BUSHING (1X3)	1 SET	LUCY ELECTRIC	SUITABLE FOR 11KV SYSTEM
7	RING CABLE BOX WITH SPLIT TYPE GLAND PLATE	2 NOS	LUCY ELECTRIC	SUITABLE FOR CABLE UPTO 1X3CX300SQ.MM
8	T-OFF CABLE BOX WITH SPLIT TYPE GLAND PLATE	1 NO	LUCY ELECTRIC	SUITABLE FOR CABLE UPTO 1X3CX300SQ.MM
9	OPERATING HANDLE	1 NO	LUCY ELECTRIC	STD
10	SELF POWERED OVERCURRENT & EARTH FAULT RELAY	1 NO	ASHIDA/C&S/EQL	ADR241S/CSDPR-V2
11	PROTECTION CT: 50-100/1A (1X3)	1 SET	G&M/SHUBHADA/EQL	CLASS 10P5-5P10, 2.5VA BURDEN
12	CAPACTIVE VOLTAGE INDICATORS (VPIS)	3 NOS	MUP ELECTRONICS	STD
13	SF6 GAS PRESSURE GAUGE MANOMETER	1 NO	WIKI/EQL	STD
14	RIGHT ANGLE BOOTS (1X3)	3 SETS	K.D JOSHI/EQL.	SUITABLE FOR 11KV SYSTEM

NO	REVISION	SIGN	DATE	NO	REVISION	SIGN	DATE	THIRD ANGLE PROJECTION	DATE: 20.08.2018	SIGN / NAME	DRG. NO.	GA_VRN_05	ISS. NO. 1
								ALL DIM'S ARE IN mm SCALE: NTS	DRN CHD APPD	AAS AAS RVS	DRG. NO.	GA_VRN_05	ISS. NO. 1
											DRG. NO.	GA_VRN_05	ISS. NO. 1

BILL OF MATERIAL FOR 11KV 3 WAY SFB
INSULATED NON EXTENSIBLE OUTDOOR
RMU (TYPE:VRN)

IF IN DOUBT ASK



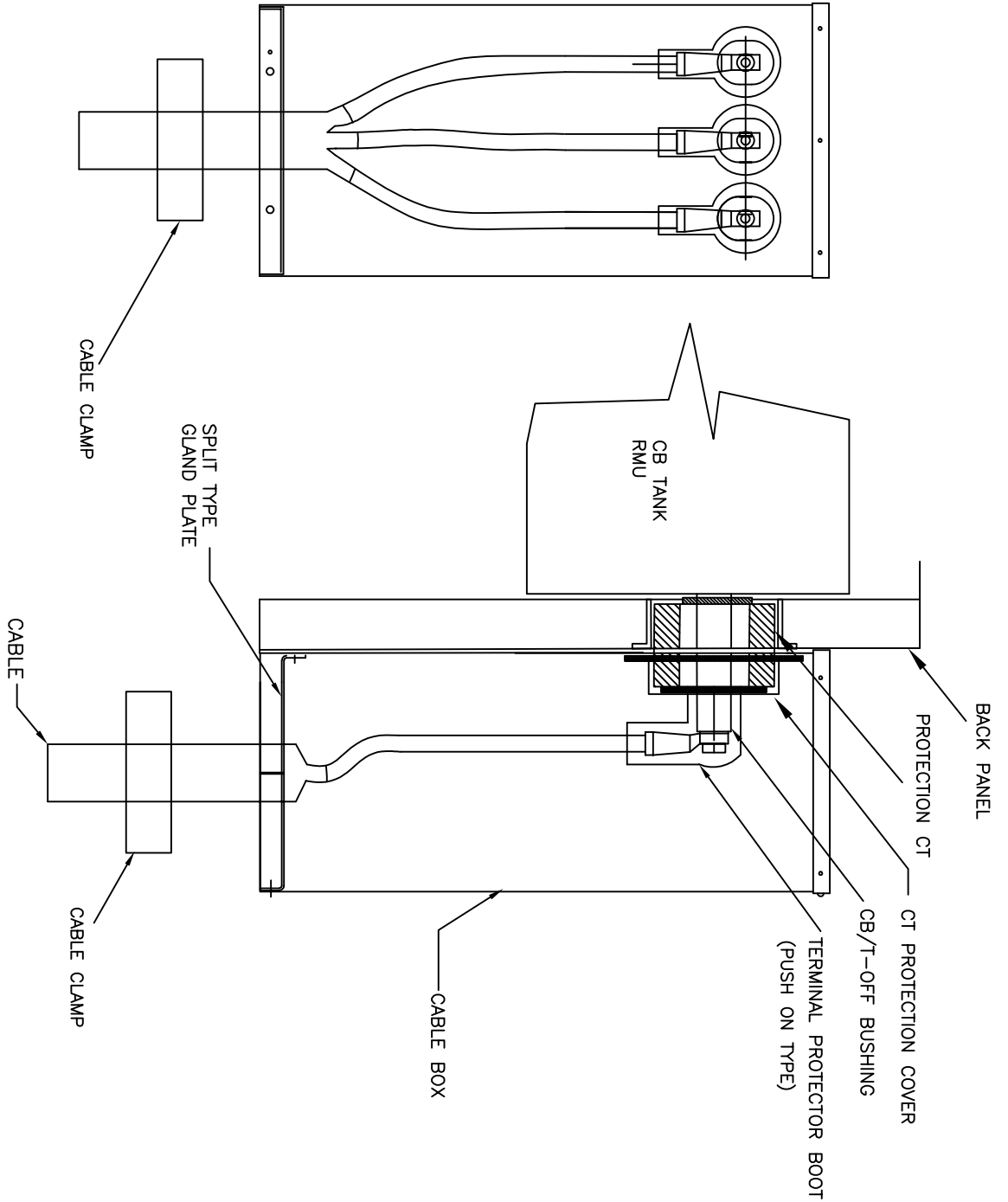
NOTE:-
1. ALL DIMENSIONS ARE SUBJECTED TO MANUFACTURING TOLERANCE $\pm 5\%$, UNLESS OTHERWISE STATED.

NO	REVISION	SIGN	DATE	NO	REVISION	SIGN	DATE	THIRD ANGLE PROJECTION	SIGN / NAME	
									DRN	AAS
									APPD	R/S
								ALL DIM'S ARE IN mm	CHD	AAS
								SCALE: NTS	APPD	R/S
									DATE: 20.08.2018	
DRG.NO.: GA_VRN_06										ISS. NO. 1

TYPICAL ARRANGEMENT OF CABLE TERMINATION FOR RING SWITCH




IF IN DOUBT ASK

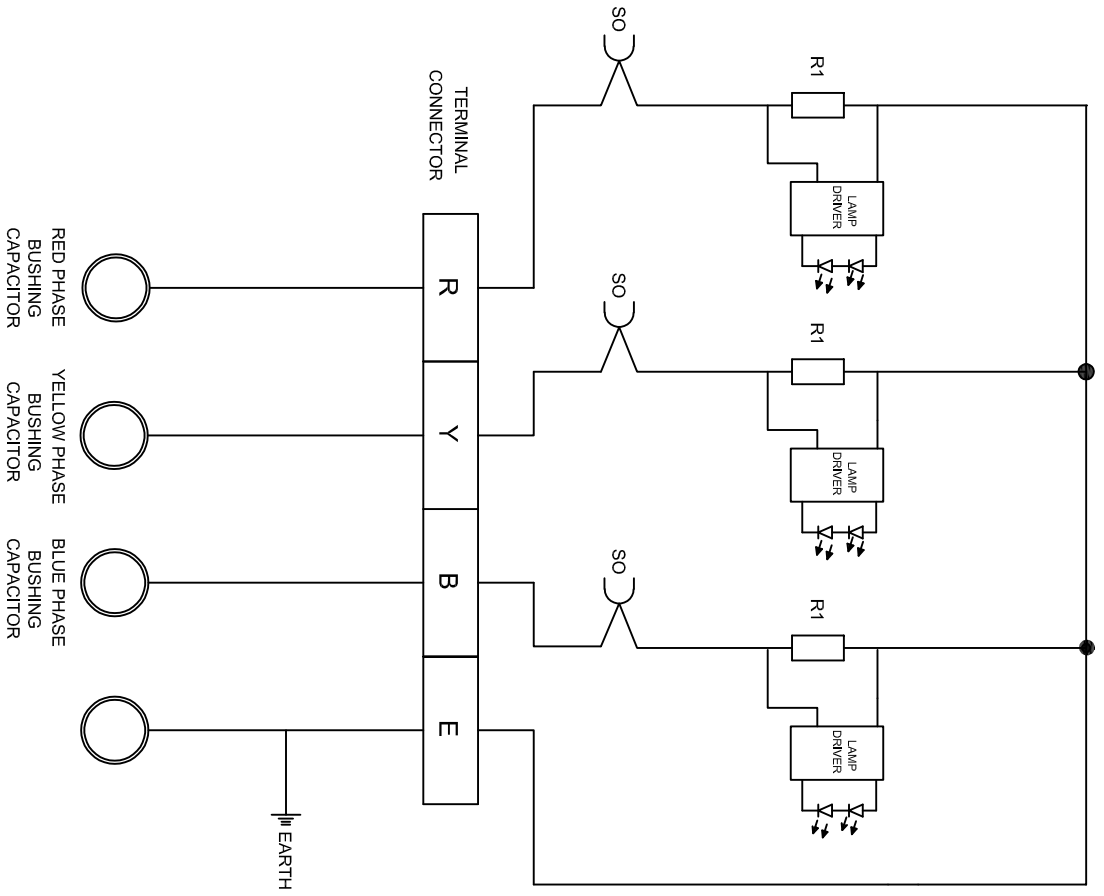


NOTE:--

1. ALL DIMENSIONS ARE SUBJECTED TO MANUFACTURING TOLERANCE $\pm 5\%$, UNLESS OTHERWISE STATED.

NO	REVISION	SIGN	DATE	NO	REVISION	SIGN	DATE	THIRD ANGLE PROJECTION	SIGN / NAME	
									DRN	AAS
								ALL DIMN'S ARE IN mm	CHD	AAS
								SCALE: NTS	APPD	RVS
								DATE: 20.08.2018	DRG.NO.: GA_VRN_07	
TYPICAL ARRANGEMENT OF CABLE TERMINATION FOR CIRCUIT BREAKER										 <p>Lucy Electric India Private Limited</p>
									ISS. NO. 1	

IF IN DOUBT ASK



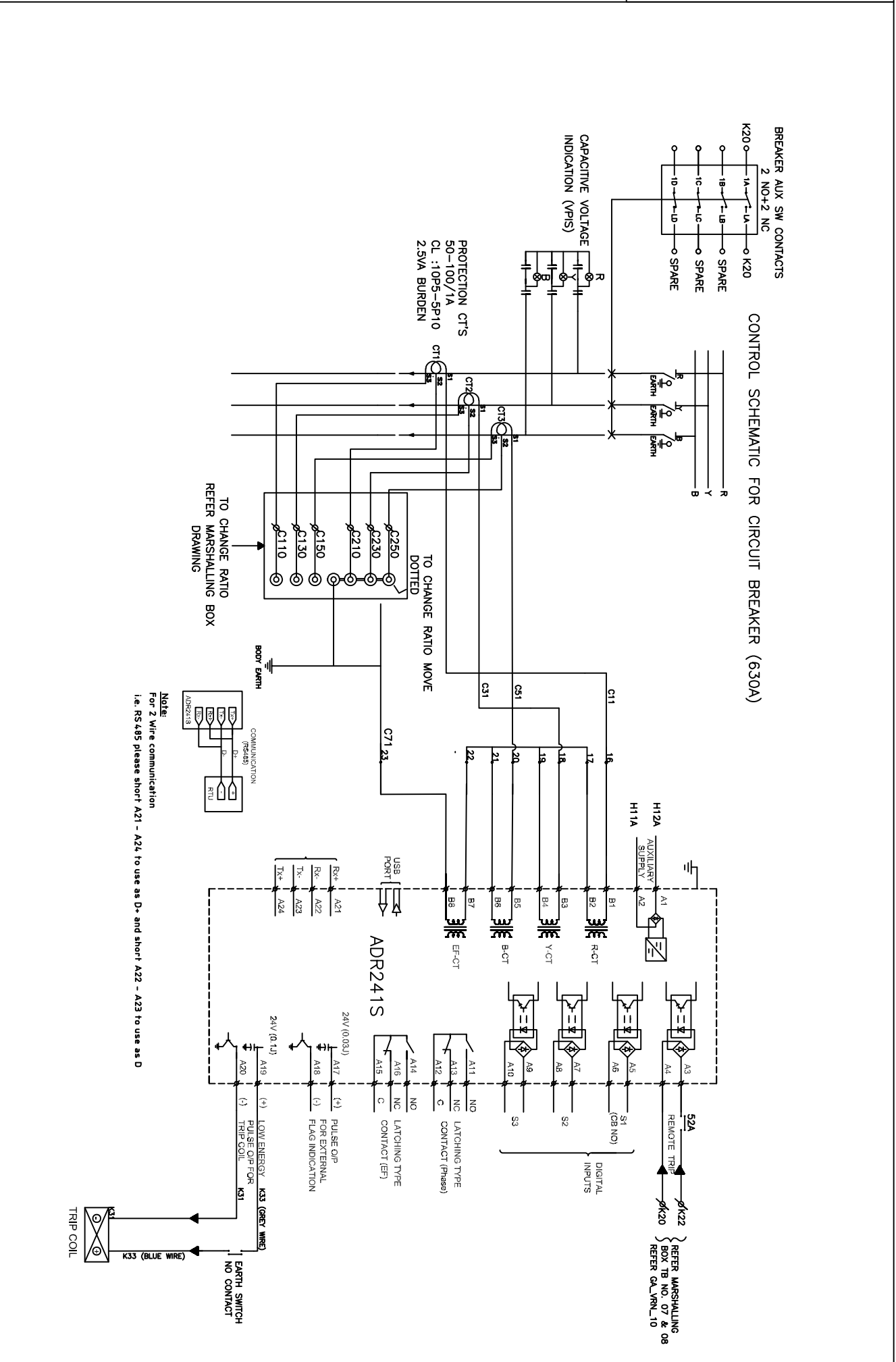
NO	REVISION	SIGN	DATE	NO	REVISION	SIGN	DATE	THIRD ANGLE PROJECTION	SIGN / NAME		
									DRN	AAS	
								ALL DIM'S ARE IN mm	CHD	AAS	
								SCALE: NTS	APPD	RVS	
								DATE: 20.08.2018			
								DRG. NO. GA_VRN_08			
											ISS. NO. 1

CONTROL SCHEMATIC FOR VPIs

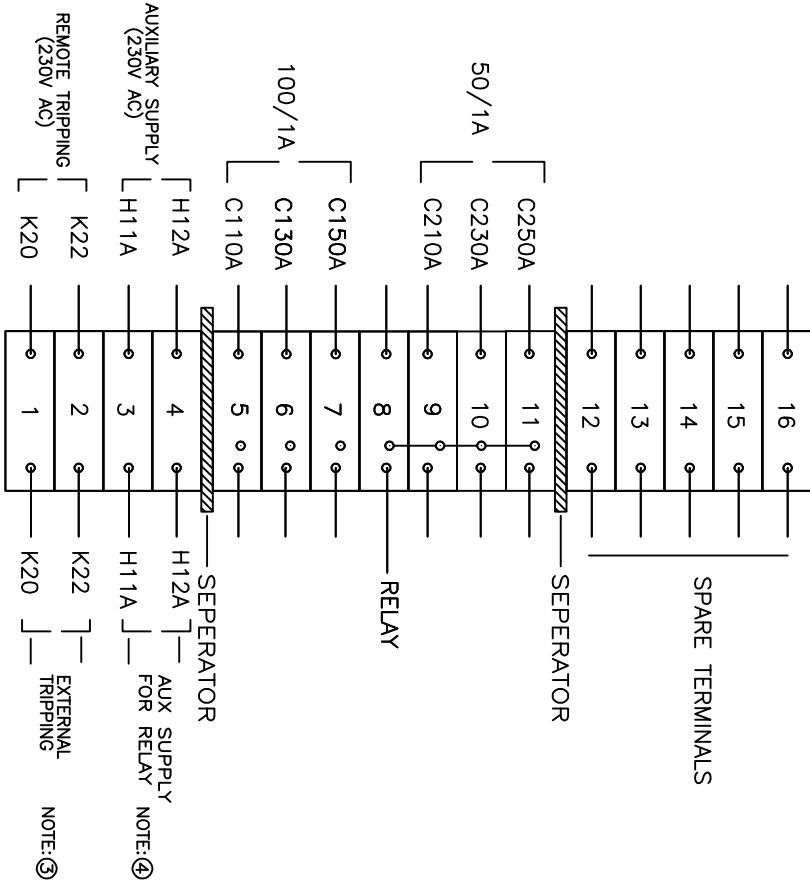


IF IN DOUBT ASK

NO	REVISION	SIGN	DATE	NO	REVISION	SIGN	DATE	THIRD ANGLE PROJECTION	DATE: 20.08.2018	GA DRG. GA_VRN_09	ISS. NO. 1
								ALL DIM'S ARE IN mm SCALE: NTS			
								DRN	AAS	CONTROL SCHEMATIC OF RELAY	
								CHD	AAS		
								APPD	RVS		



IF IN DOUBT ASK



- NOTES: FOR CT RATIO: 50-100/1A
 1) PRESENTLY CT CONNECTED TO RATIO - 50/1A (FOR THIS SHORTING LINK AT 08.09.10 & 11)
 2) TO SELECT CT RATIO - 100/1A (FOR THIS CONNECT SHORTING LINK AT 05.06.07 & 08)
 3) ADDITIONAL FEATURE : REMOTE TRIPPING IS POSSIBLE BY PROVIDING 230V AC POWER SUPPLY TO TERMINAL K20 & K22
 4) OPTIONAL FEATURE : AUXILIARY SUPPLY 230V AC REQUIRED WHEN INBUILT BATTERY SUPPLY IS NOT AVAILABLE

NO	REVISION	SIGN	DATE	NO	REVISION	SIGN	DATE	THIRD ANGLE PROJECTION	SIGN / NAME	
									DRN	AAS
								ALL DIM'S ARE IN mm	CHD	AAS
								SCALE: NTS	APPD	RVS
								DATE: 20.08.2018		
MARSHALLING BOX WIRING DIAGRAM										DRG. NO GA_VRN_10
										ISS. NO. 1

IF IN DOUBT ASK

- NOTES:
1. BORDER OF RATING PLATE SHOULD BE 2mm.
 2. LETTER HEIGHT SHOULD BE 3mm.
 3. BACKGROUND SHOULD BE BLACK.
 4. RIVETTED TYPE NAME PLATE

MATERIAL : 1MM THK. AL
 FINISH : NATURAL
 QUANTITY : 1/JOB.

LUCY ELECTRIC INDIA PVT.LTD.

H-21, MIDC AMBAD, NASIK.

TYPE REFERENCE SERIAL NO. YEAR OF MANUFACTURE

SABRE-VRN

WEIGHT kg
 RATED VOLTAGE kV 12
 FREQUENCY Hz 50
 IMPULSE WITHSTAND VOLTAGE kVp 75

	RING SWITCHES	C.B.
NORMAL CURRENT	630	630
SHORT CIRCUIT PEAK MAKING CURRENT	52.5	52.5
SHORT CIRCUIT BREAKING CURRENT	NA	21
3 SECOND SHORT TIME CURRENT	21	21
EARTH SWITCH PEAK MAKING CURRENT	52.5	52.5
TESTING STANDARDS	IEC 60265-1 EATS 41-36	IEC 62271 EATS 41-36

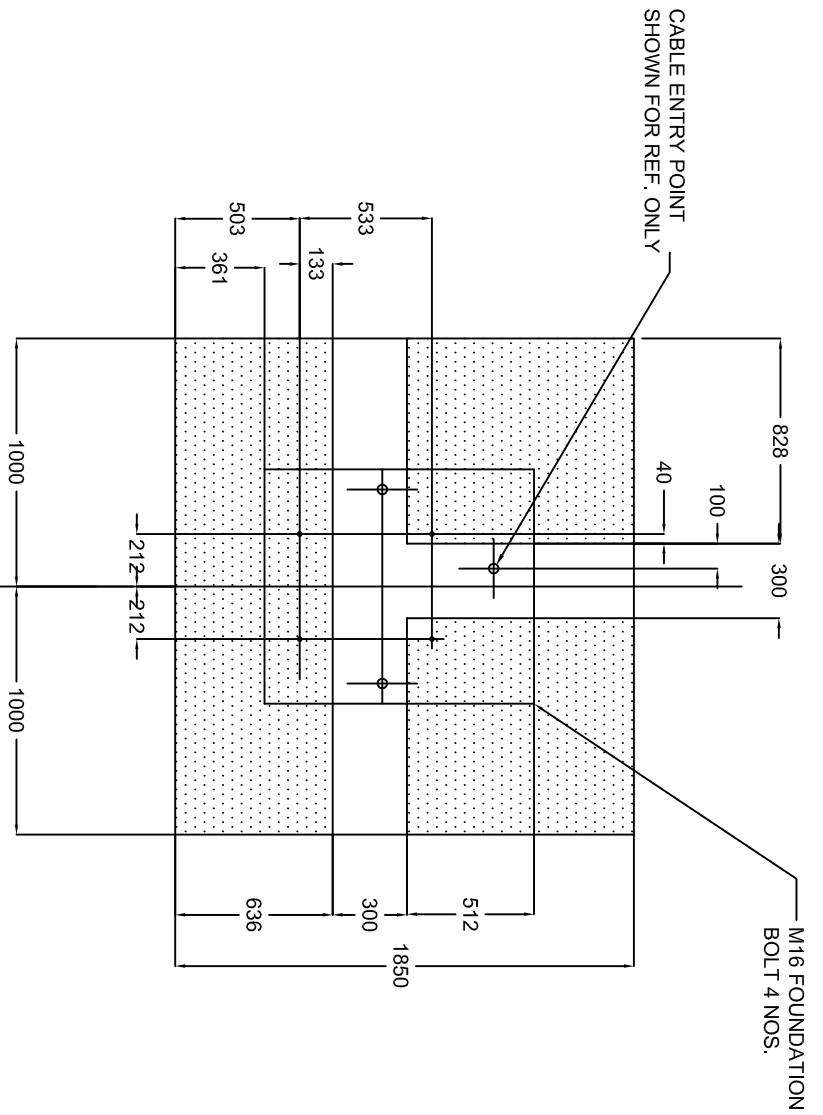
FILLING PRESSURE AT 20° C 0.4 bar g
 MINIMUM OPERATING PRESSURE 0.05 bar g

NO	REVISION	SIGN	DATE	NO	REVISION	SIGN	DATE	THIRD ANGLE PROJECTION	SCALE: NTS	ALL DIMN'S ARE IN mm	DRN	AAS	SIGN / NAME	DATE:	DRG. NO.	GA_VRN_11	ISS. NO.	1

RATING PLATE FOR VRN

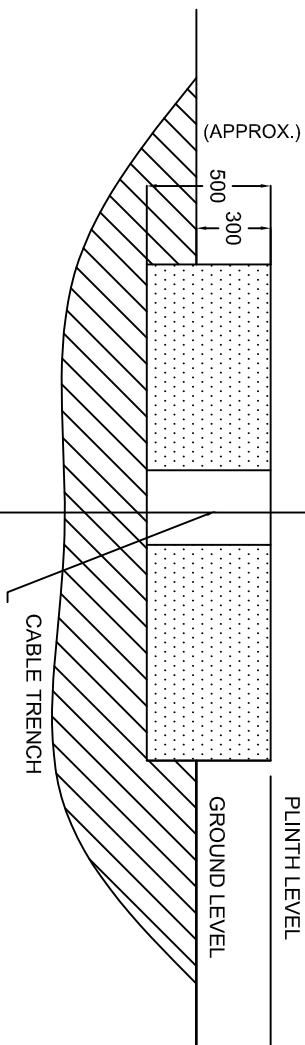


IF IN DOUBT ASK



- NOTE:
1. THE DIMENSIONS OF ELEMENTS WITHIN THE BOX NEEDS TO BE MAINTAINED. OTHER EXTERNAL DIMENSIONS CAN BE TRIMMED OFF DEPENDING ON SPECIFIC REQUIREMENTS OF SITE.
 2. ALL DIMENSIONS ARE SUBJECTED TO TOLERANCE OF ±5%.
 3. FOUNDATION DETAIL IS FOR REFERENCE ONLY AND CAN BE MODIFIED AS PER SITE CONDITION.

LAYOUT FOR THE FOUNDATION OF VCE



NO	REVISION	SIGN	DATE	NO	REVISION	SIGN	DATE	THIRD ANGLE PROJECTION	DATE: 20.08.2018	SIGN / NAME
								ALL DIM'S ARE IN mm	DRN	AAS
								SCALE: NTS	CHD	AAS
									APPD	RVS
										DRG. NO. GA_VRN_12
										ISS. NO. 1