

Master List -Orderwise

SAP REF.:4201651440

CUSTOMER:
 PO REF: AIE/160/PO-2015 DATE: 2018/03/13
 RMU TYPE: 11KV OUTDOOR SAFE LINK CB VD NE.

Issued by
 Year Week
 EPDSGIS 2018 16

Accpt. By QC Accpt. production Desgn.Appd.By:RAJA Checked byRAJA Drawn By: SKR

RMU TYPE: 11KV,OUTDOOR SAFE LINK CB TYPE VD NON EXT.

Sr.No.	Article No.	Description	Rev Status
1	YN1V400010-YKD	Master List -Orderwise	
2	YN1V300011-ZDY	APPARATUS ALLOCATION CHART	
3	YN1V300113-BGL	LIST OF CONTENT	
4	YN1V300113-BGL	LIST OF LEGENDS	
5	YN1V300113-BGL	SINGLE LINE DIAGRAM	
6	YN1V300113-BGL	V-BKR CONTROL SCHEME	
7	YN1V300113-BGL	DIRECT MODULE CONTROL SCHEME	
8	YN1V300015-XGS	SAFELINK CB GA DRG	
9	YN1V300015-XGS	GA DRG WITH DOOR OPEN CONDITION	

This document must not be copied without our written permission and the contents there of must not be imparted to a third party, nor be used for any unauthorised purpose. Contravention will be prosecuted.
 ABB INDIA LIMITED.

1	2	3	4	5	6	7	8
LOCATION	MAKE	DESCRIPTION	ARTICLE NO	RMU QTY	TOTAL		
S35.1 A2-01	ELEMEX/VAKRATUND	AUXILIARY SWITCH -RMU 3NO+2NC AUXILIARY SWITCH -RMU 1NO+1NC	2REA016209A0001 NZN000859P11	01 01	01 01		
B10-01	ECS	SERIES TRIP COIL FOR RELAY	2REA016775A0001	01	01		
B10-02	ASHIDA/C&S	SELF POWERED OVER CURRENT & EARTH FAULT PROTECTION RELAY MODEL NO. CDPPR-300 DLP/ADR241S RELAY CT SEC.-1A	4200798527.6006	01	01		
D5-01	WIKI/SHANGHAI	MANOMETER	2REA013719P0001	01	01		
D5-02.03	NAMP PING ANDA	CAPACITIVE VOLTAGE INDICATOR-VPIS 9-15KV	YN1V400916-587	02	02		
F3-01,02,03	ERICON/NPT/EQ.	PROTECTION CT RATIO:75/1A BURDEN:2.5VA,CL.5P10	4200463004.3001	03	03		
	ABB	TANK AND MECHANISM FOR RMU TYPE VD NON EXTENSIBLE CURRENT RATING 630A 21KA FOR 3 SEC,1.1KV , 50HZ	-	01	01		
	RAYCHEM/3M REPL	TERMINAL PROTECTOR FOR RMU	1VYN303050-060	02	02		
	ELMEX/ CONNECTWELL	TERMINAL BLOCK FOR AUXILIARY SWITCH TERMINATIONS	1VYN452150-440	AS REQ.	AS REQ.		
	ELMEX/ CONNECTWELL	TERMINAL BLOCK FOR TRIP CKT	1VYN452150-344	AS REQ.	AS REQ.		

Design checked by RAJA T	Iss by Dept. Year. Week EPDSGIS 2018 16	SAP REF.:4201651440	Rev Sheet 0 2
Drawing checked by RAJA T		YN1V300011-ZDY	Cont. 3
Drawn by SKR	ABB		
PO REF: AE/160/PO-2015 DT0:2018/03/13	RMU TYPE:11KV OUTDOOR SAFE LINK CB VD NE.		
Appd	Date		
Rev	Revision		

1 2 3 4 5 6

A

B

C

D

SYMBOL	DESCRIPTION	SYMBOL	DESCRIPTION
	LOAD BREAK SWITCH		BREAKER
	EARTH SWITCH		OFF LOAD BREAK SWITCH
	CAPACITIVE VOLTAGE INDICATOR		TRIP COIL
	BUSHING FOR CABLE TERMINATION		PROTECTION RELAY
	PROTECTION CTS		AUXILIARY SWITCH-VBKR

A

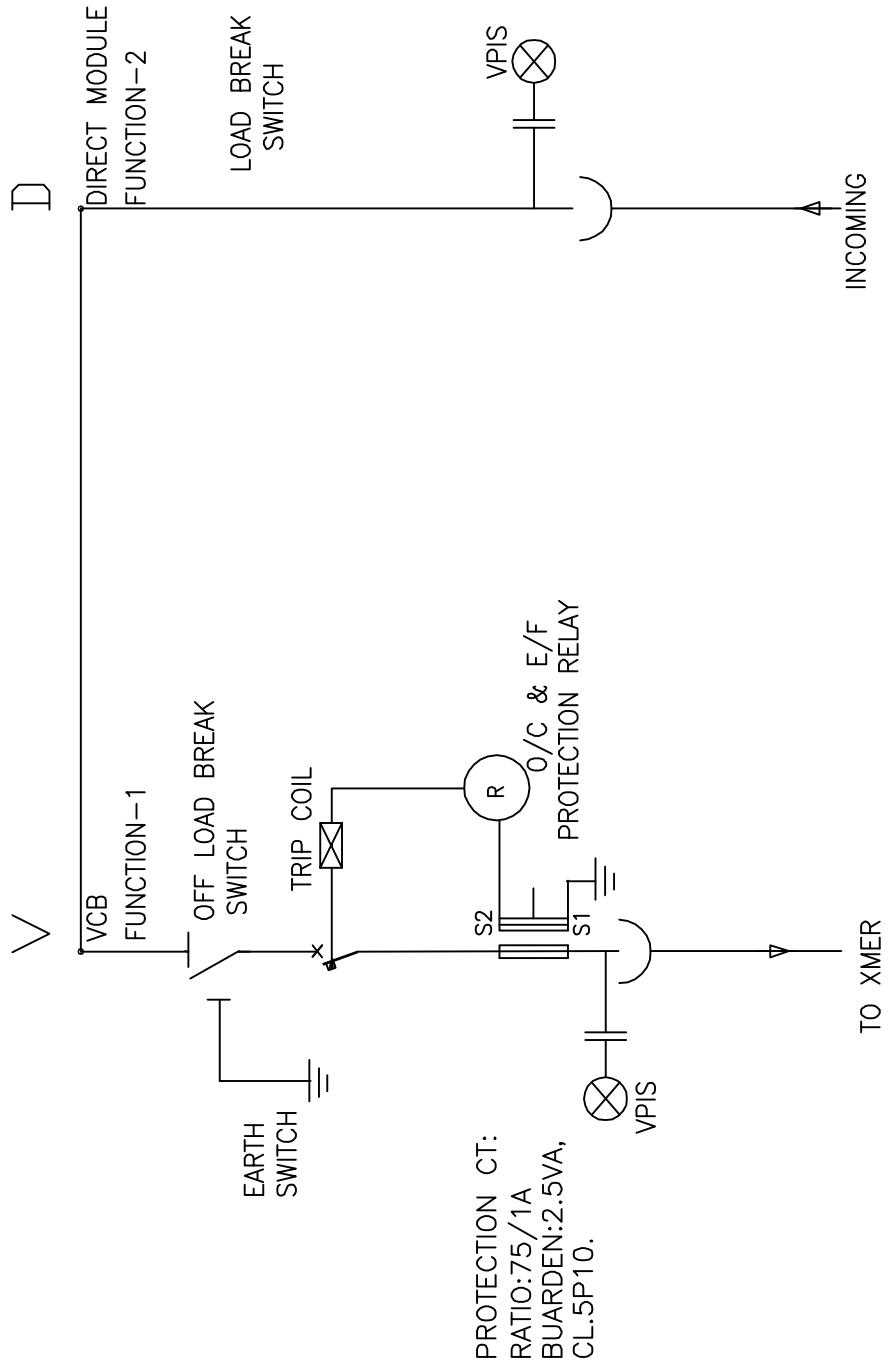
B

C

D

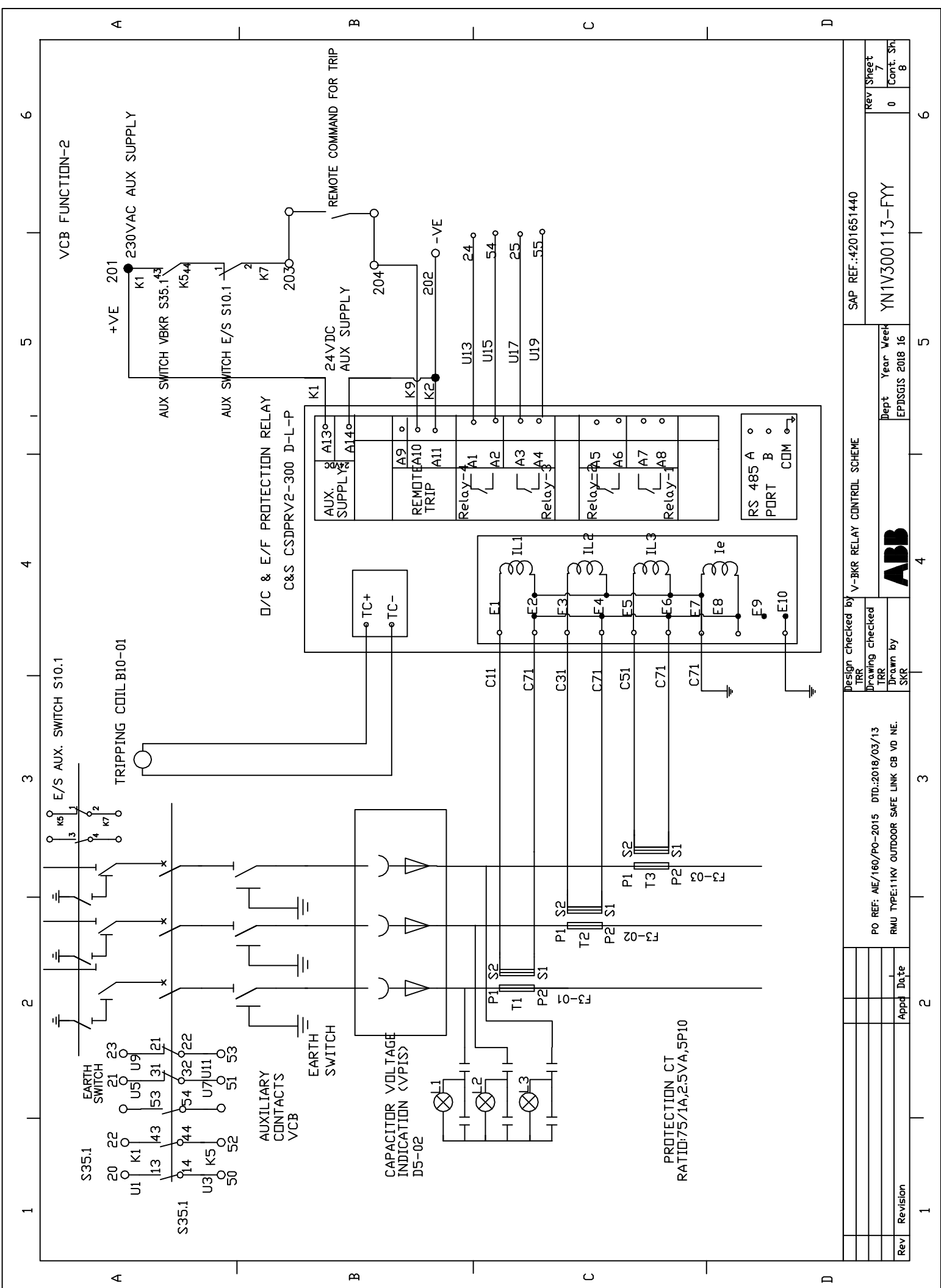
Design checked by RAJA		Legends		SAP REF.:4201651440	
Drawing checked by RAJA		ABB		YN1V300113--BGL	
Drawn by SKR		EPDSGIS 2018 16		Rev 0	
PO REF: AIE/160/PO-2015 DTG:2018/03/13		Dept. Year Week		Sheet 4	
RMU TYPE:11KV OUTDOOR SAFE LINK CB VD NE.		EPDSGIS 2018 16		Cont. 5	
Rev	Revision	Appr.	Date	1	2
				3	4
				5	6

11KV,630A, 20KA,50HZ SF6 INSULATED , OUTDOOR SAFE LINK CB VD NON EXTENSIBLE



PROTECTION CT:
 RATIO:75/1A
 BUARDEN:2.5VA,
 CL.5P10.

Design checked by RAJA T		SINGLE LINE DIAGRAM		SAP REF.:4201651440	
Drawing checked by RAJA T		ABB		Rev 0	
Drawn by SKR		Iss by Dept, Year Week EPDSGIS 2018 16		Rev Sheet 0 5	
PO REF: AE/160/PO-2015 DTD:2018/03/13		RMU TYPE:11KV OUTDOOR SAFE LINK CB VD NE.		YNI1V300113-BGL	
Rev	Revision	Appr.	Date	1	6

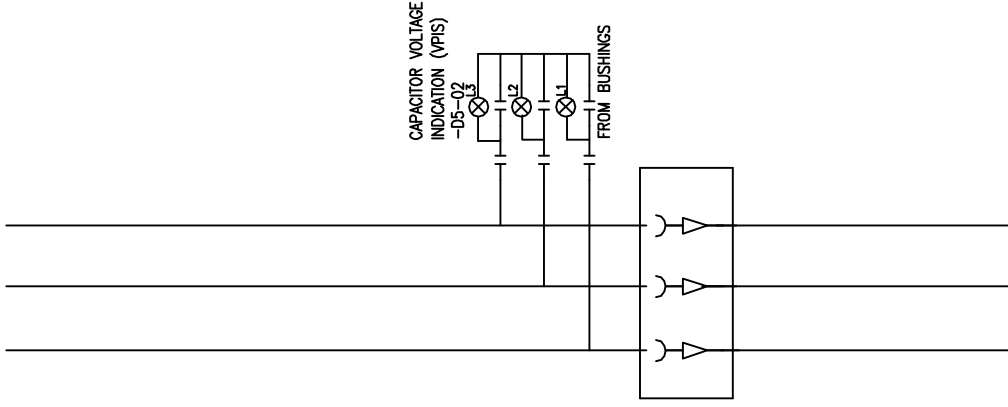


SAP REF.: 4201651440	Rev Sheet	7
	Cont. Sh	8
Dept Year Week	YNI V300113-FYY	0
Design checked by TRR		
Drawing checked TRR		
Drawn by SKR		
PO REF: AE/160/PO-2015 DTD: 2018/03/13		
RMU TYPE: 11KV OUTDOOR SAFE LINK CB VD NE.		
Rev	Revision	Appd Date
1		
2		
3		
4		
5		
6		

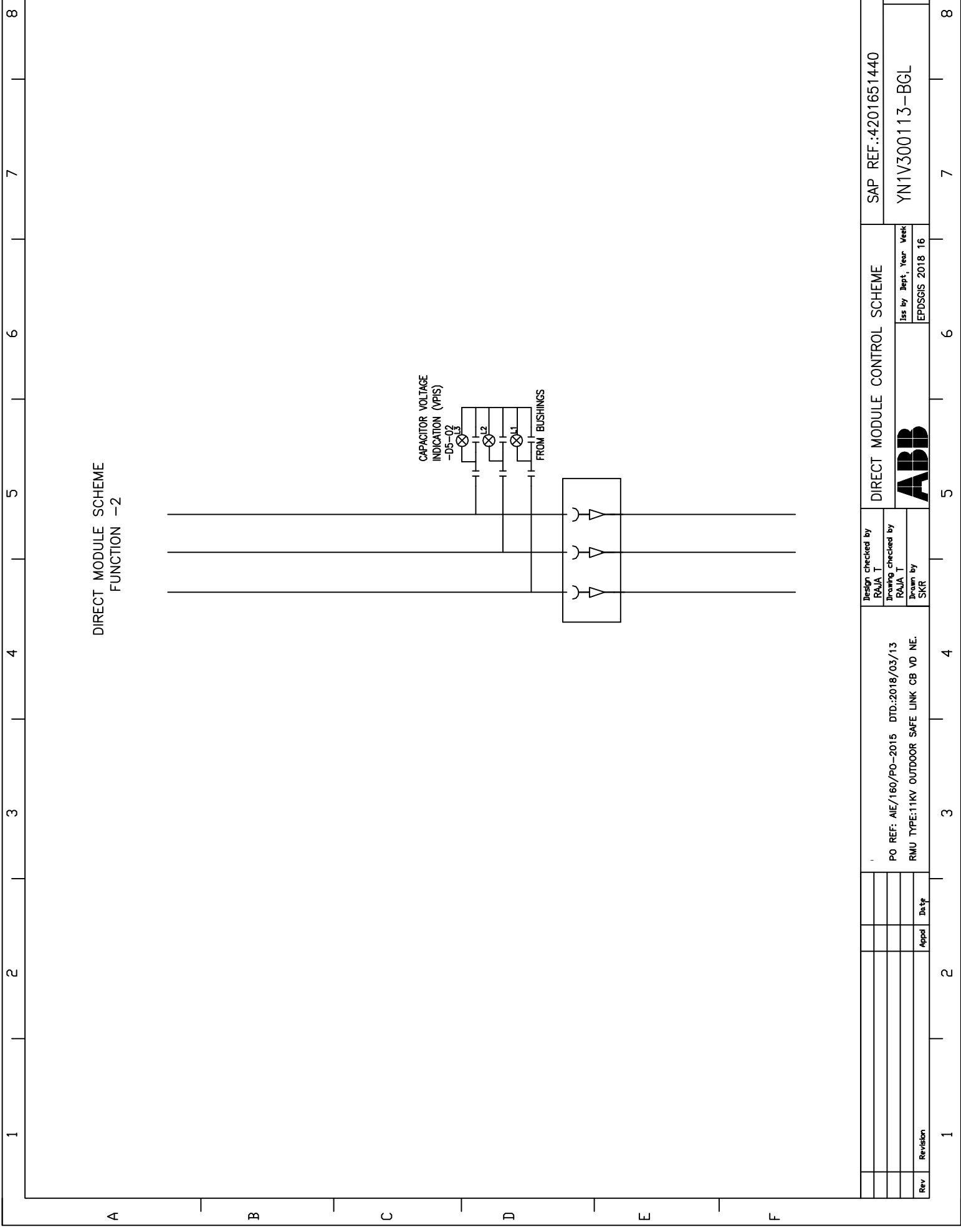


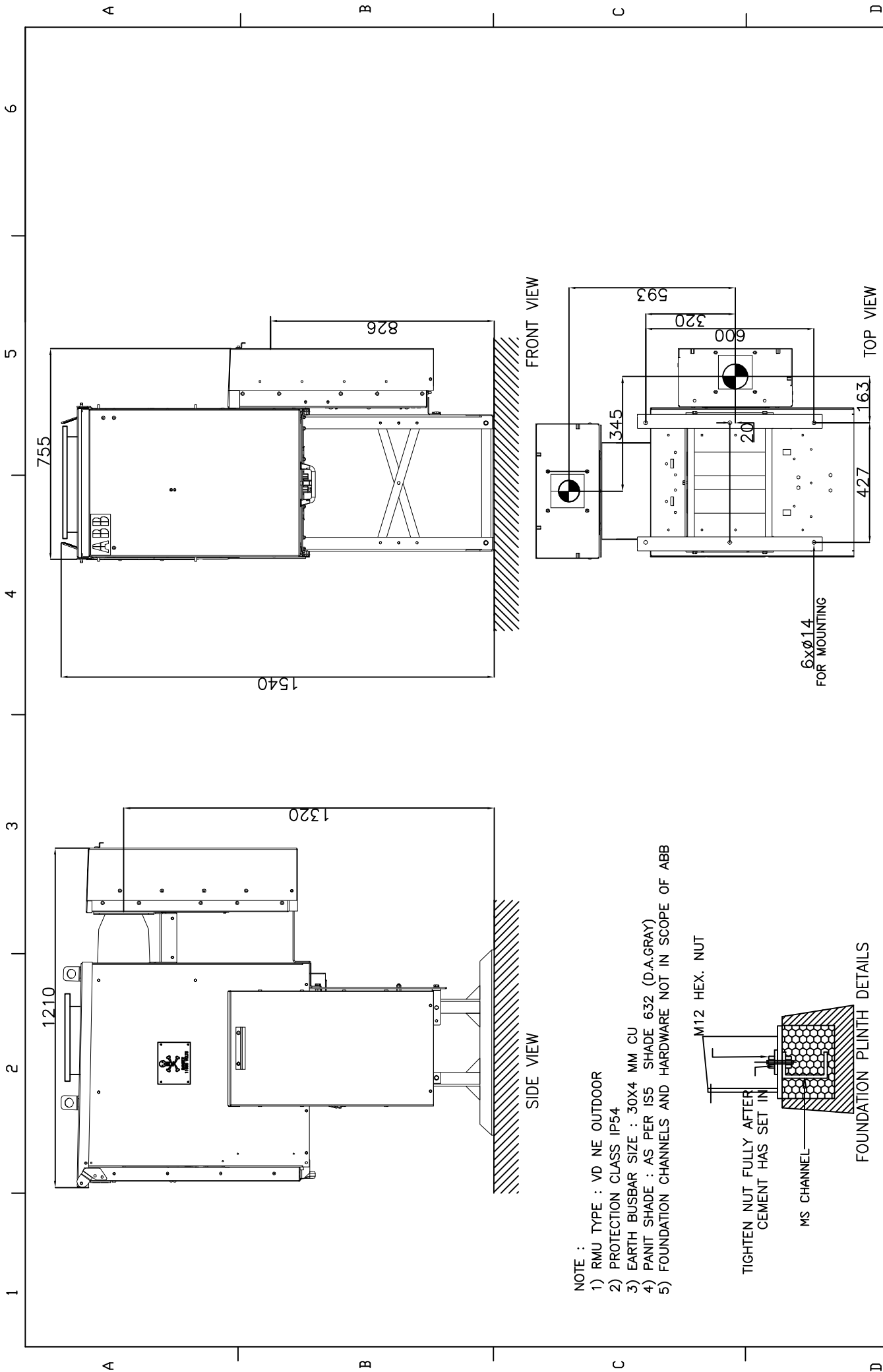
V-BKR RELAY CONTROL SCHEME

DIRECT MODULE SCHEME
FUNCTION -2

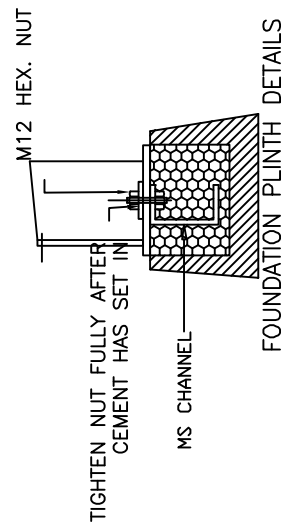


Rev	Revision	Appd	Dt	PO REF: A/E/160/PO-2015 RMU TYPE:11KV OUTDOOR SAFE LINK CB VD NE.	Design checked by RAJA T	DIRECT MODULE CONTROL SCHEME	SAP REF.:4201651440
				DTD:2018/03/13	Drawng checked by RAJA T		
					Drawn by SKR		
					Iss by Dept, Year, Week EPDSGIS 2018 16		
							Rev Sheet 0 B Cont. 9
							YN1V300113-BGL





- NOTE :
- 1) RMU TYPE : VD NE OUTDOOR
 - 2) PROTECTION CLASS IP54
 - 3) EARTH BUSBAR SIZE : 30X4 MM CU
 - 4) PAINT SHADE : AS PER IS5 SHADE 632 (D.A.GRAY)
 - 5) FOUNDATION CHANNELS AND HARDWARE NOT IN SCOPE OF ABB



Design checked by RAJA T	SAP REF.:4201651440	Rev Sheet 0 9
Drawing checked by RAJA T	Iss by Dept., Year Week EPDSGIS 2018 16	Cont.Sh 0 10
Drawn by SKR	SAFELINK CB CA DRG	
	ABB	
	PO REF: A/E/160/PO-2015 DTD.:2018/03/13	
	RMU TYPE:11KV OUTDOOR SAFE LINK CB VD NE.	
Rev	Revision	Appr. Date

