

11

12

13

14

15

16

17

18

IF IN DOUBT ASK

F

TITLE SHEET

F

E

E

TITLE : 11kV, 800A, 20kA, INDOOR TYPE VCB PANEL

D

D

CLIENT :

PROJECT : - - - -

DRG.NO : PB570/100/101/102/201/301/401/501

C

C

QTY. : 1Set. (1INCOMING + 2OUTGOING VCB PANEL)

B

B

PO. NO. :

A

A



JOB NO. L-2041

5				
4				
3				
2				
1				
NO.	ECN NO.	REVISION	DATE	CHD.



SCALE

N.T.S.



ADLITE ELECTRICALS



ALL DIMENSIONS ARE IN M.M. AND
REQUIREMENT CHANGE AS PER
MANUFACTURING REQUIREMENT
AND ENGINEERING TOLERANCES.

SHEET NO.	1
NO. OF SHEET	1

TITLE	TITLE SHEET	DSGN.	AASID
PRODUCT	11KV,800A, 20KA INDOOR VCB PANEL (1 INCOMER + 2 OUTGOING VCB PANEL)	DRN.	AASID
CLIENT		CHD.	G.M. RAI
CUSTOMER	----	APPD.	
CONSULTANT	----	DATE	14.09.2022
PROJECT	----	DRG. NO.	
			PB570/100

THIS DRG. IS THE SOLE PROPERTY OF
UNAUTHORIZED USE OF THIS DRG. OR, MAKING PRODUCT AS PER OUR DRG
WITHOUT OUR PERMISSION OR ANY OTHER MISUSE IS NOT PERMITTED

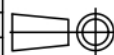
LEGENDS

S.No.	SYMBOL	DESCRIPTION	S.No.	SYMBOL	DESCRIPTION
1		TRI-VECTOR METER	21		BREAKER CONTROL SWITCH
2		MULTI FUNCTION METER	22		TEST TERMINAL BLOCK
3		AMMETER+VOLTMETER+FREQUENCY METER	23		HOOTER
4		POWER FACTOR METER	24		PUSH BUTTON
5		AMMETER WITH INBUILT SELECTOR SWITCH	25		ILLUMINATED TYPE PUSH BUTTON
6		VOLTMETER WITH INBUILT SELECTOR SWITCH	26		EMERGENCY STOP PUSH BUTTON
7		AMMETER	27		INDICATION LAMP
8		VOLTMETER	28		NORMALLY OPEN CONTACT
9		AMMETER/VOLTMETER/AUTO MANUAL/LOCAL REMOTE SELECTOR SWITCH	29		NORMALLY CLOSE CONTACT
10		VACUUM CIRCUIT BREAKER	30		POTENTIAL TRANSFORMER
11		ANNUNCIATOR	31		CURRENT TRANSFORMER
12		30/C+1E/F RELAY WITH HIGH SET	32		CONTROL FUSE
13		30/C+1E/F RELAY	33		CONTROL MCB
14		RESTRICTED E/F RELAY	34		SPACE HEATER
15		DIFFERENTIAL E/F RELAY	35		PANEL ILLUMINATION
16		MASTER TRIP RELAY	36		DOOR SWITCH
17		TRIP CIRCUIT SUPERVISION RELAY	37		TOGGLE SWITCH
18		AUX. RELAY FOR TRF. FAULT	38		THERMOSTAT
19		ANTI PUMPING RELAY	39		CT SHORTING TERMINAL
20		GAS PRESSURE RELAY	40		POWER & CONTROL TERMINAL

ABB
SYSTEM HOUSE

JOB NO. L-2041

5					
4					
3					
2					
1					
NO.	ECN NO.	REVISION	DATE	CHD.	N.T.S.



SCALE

ABB
SYSTEM HOUSE



ADLITE ELECTRICALS

ALL DIMENSIONS ARE IN M.M. AND
REQUIREMENT CHANGE AS PER
MANUFACTURING REQUIREMENT
AND ENGINEERING TOLERANCES.

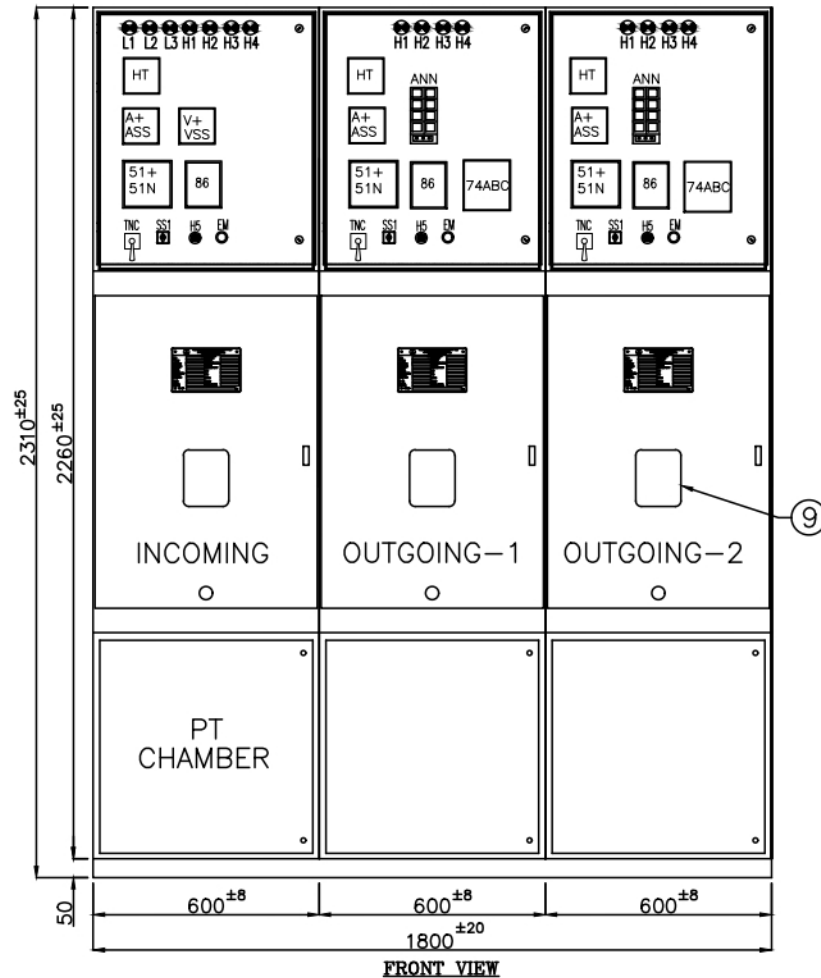
SHEET NO.	1
NO. OF SHEET	1

TITLE	LEGENDS	DSGN.	AASID
PRODUCT	11kV,800A, 20kA INDOOR VCB PANEL (1 INCOMER + 2 OUTGOING VCB PANEL)	DRN.	AASID
CLIENT		CHD.	G.M. RAI
CUSTOMER	----	APPD.	
CONSULTANT	----	DATE	14.09.2022
PROJECT	----	DRG. NO.	
			PB570/101

THIS DRG. IS THE SOLE PROPERTY OF UNAUTHORIZED USE OF THIS DRG. OR MAKING PRODUCT AS PER OUR DRG. WITHOUT OUR PERMISSION OR ANY OTHER MISUSE IS NOT PERMITTED

51 52 53 54 55 56 57 58

IF IN DOUBT ASK



- LEGENDS DESCRIPTION**
- 51+51N - 30/C +1E/F IDMT RELAY
 - 86 - MASTER TRIP RELAY
 - 74ABC - AUX. RELAY FOR TRF. FAULTS
 - A+ASS - DIGITAL AMMETER WITH ASS
 - V+VSS - DIGITAL VOLTMETER WITH VSS
 - TNC - BREAKER CONTROL SWITCH
 - SS1 - SELECTOR SWITCH L/R
 - L1 - 'R' PHASE INDICATION
 - L2 - 'Y' PHASE INDICATION
 - L3 - 'B' PHASE INDICATION
 - H1 - 'R' BREAKER ON INDICATION
 - H2 - 'G' BREAKER OFF INDICATION
 - H3 - 'A' BREAKER TRIP INDICATION
 - H4 - 'B' SPRING CHARGE INDICATION
 - H5 - 'R' TRIP CIRCUIT HELATHY INDICATION
 - EM - EMERGENCY PUSH BUTTON
 - H - HOOTER
 - ANN. - ANNUNCIATOR 8 WINDOW

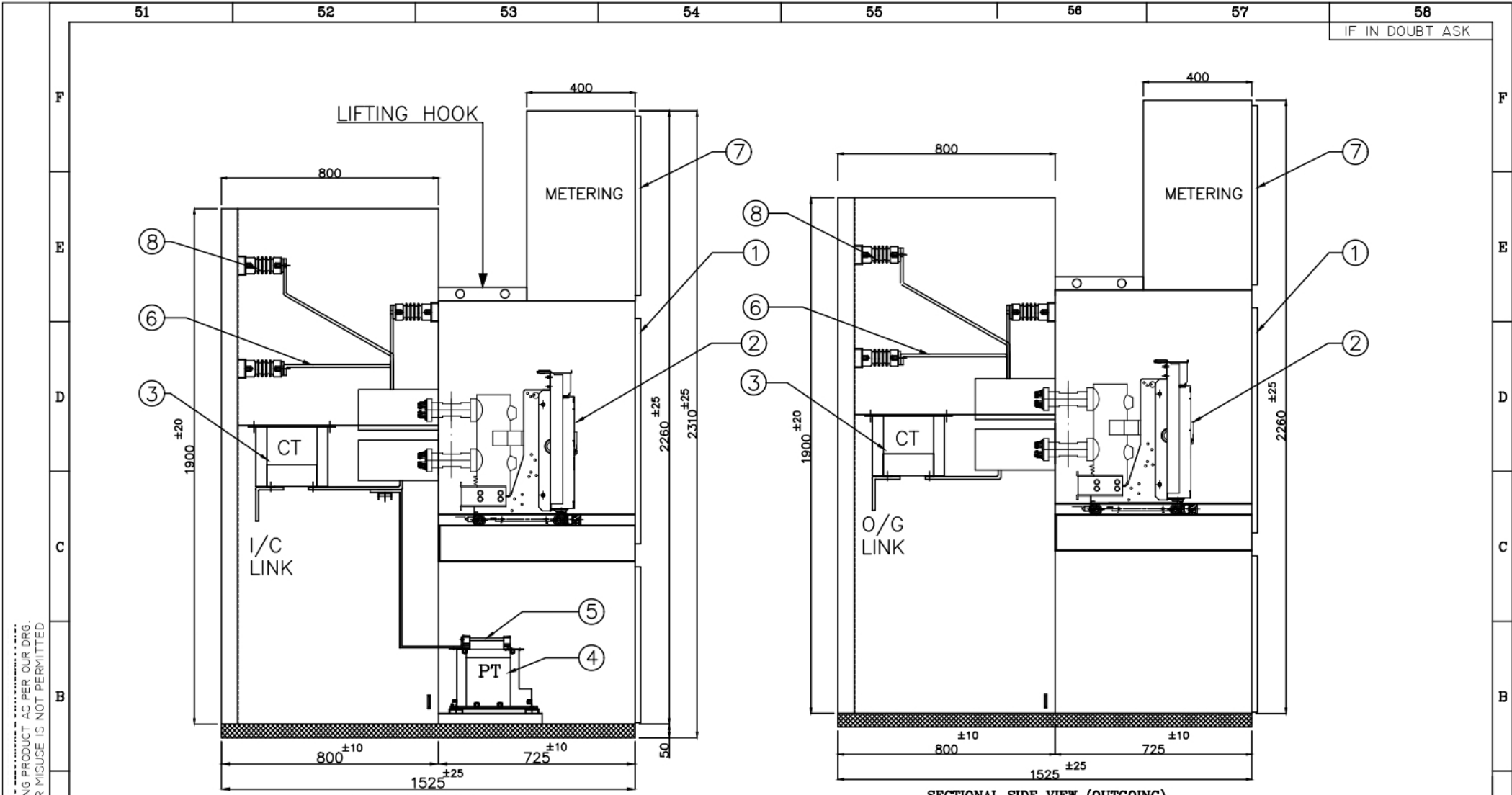
NOTE:- DIMENSION, ORIENTATION & LAYOUT OF DRAWING MAY CHANGE DURING DETAILED ENGINEERING



JOB NO. I-2041								TITLE		GENERAL ARRANGEMENT	QTY. 1NOS.	
5								PRODUCT	11kV,800A, 20KA INDOOR VCB PANEL (1 INCOMER + 2 OUTGOING VCB PANEL)	DSGN.	AASID	
4								CLIENT		DRN.	AASID	
3								CUSTOMER	----	CHD.	G.M. RAI	
2								CONSULTANT	----	APPD.		
1					PROJECT	----	DATE	14.09.2022				
NO.	ECN NO.	REVISION	DATE	CHD.	N.T.S.	SCALE	NO. OF SHEET	1	DRG. NO.			
							NO. OF SHEET	3		PB570/201		



ALL DIMENSIONS ARE IN M.M. AND REQUIREMENT CHANGE AS PER MANUFACTURING REQUIREMENT AND ENGINEERING TOLERANCES.



IF IN DOUBT ASK

SECTIONAL SIDE VIEW (INCOMER)

SECTIONAL SIDE VIEW (OUTGOING)

**NOTE:- DIMENSION, ORIENTATION & LAYOUT OF DRAWING
MAY CHANGE DURING DETAILED ENGINEERING**



QTY. 1NOS.

THIS DRG. IS THE SOLE PROPERTY OF ADLITE ELECTRICALS. UNAUTHORIZED USE OF THIS DRG. OR MAKING PRODUCT AS PER OUR DRG. WITHOUT OUR PERMISSION OR ANY OTHER MISUSE IS NOT PERMITTED.

5					
4					
3					
2					
1					
NO.	ECN NO.	REVISION	DATE	CHD.	N.T.S.

ADLITE ELECTRICALS

ABB SYSTEM HOUSE

ALL DIMENSIONS ARE IN M.M. AND REQUIREMENT CHANGE AS PER MANUFACTURING REQUIREMENT AND ENGINEERING TOLERANCES.

SHEET NO.	2
NO. OF SHEET	3

TITLE	GENERAL ARRANGEMENT
PRODUCT	11KV,800A, 20KA INDOOR VCB PANEL (1 INCOMER + 2 OUTGOING VCB PANEL)
CLIENT	----
CUSTOMER	----
CONSULTANT	----
PROJECT	----

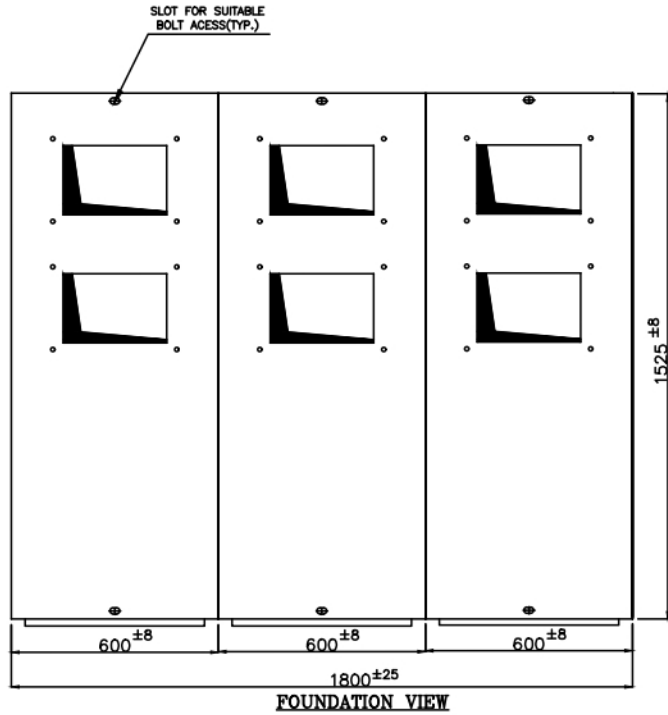
DSGN.	AASID
DRN.	AASID
CHD.	G.M. RAI
APPD.	
DATE	14.09.2022
DRG. NO.	PB570/201

THIS DRG. IS THE SOLE PROPERTY OF UNAUTHORIZED USE OF THIS DRG. OR MAKING PRODUCT AS PER OUR DRG. WITHOUT OUR PERMISSION OR ANY OTHER MISUSE IS NOT PERMITTED

51 52 53 54 55 56 57 58

IF IN DOUBT ASK

S.NO.	DESCRIPTION	
A	SHEET THICKNESS:	
I)	2mm FOR NON LOAD BEARING MEMBERS	
II)	2mm FOR LOAD BEARING MEMBERS	
III)	3mm FOR GLAND PLATE	
IV)	3mm FOR BASE FRAME	
B	FINISH : GREY COLOURED TO SHADE RAL 7032	
C	CABLE ENTRY: BOTTOM	
D	BUS BAR: ALUMINIUM	
I)	1 x 50 x 12 SQ.MM. PER PHASE FOR MAIN	
II)	1 x 50 x 6 SQ.MM. FOR MAIN EARTH	
III)	1 x 25 x 3 SQ.MM. FOR P.T. DROPPER	
E	BUS BAR CLEARANCE	
I)	PHASE TO PHASE : NOT LESS THAN 110mm	
II)	PHASE TO EARTH : NOT LESS THAN 80mm	
III)	PHASE IDENTIFICATION : COLOUR STICKER	
IV)	BUS BAR INSULATOR : 11KV	
DESCRIPTION		
1.	INDOOR TYPE VCB HT PANEL	
2.	11KV, 800A, 20kA EDO VCB	
3.	C.T. RATIO 200-100/5-5A : 3Nos. C.T. RATIO 100-50/5-5A : 6Nos.	
4.	SINGLE PHASE FIXED TYPE P.T. : 3Nos.	
5.	PT FUSE : 3Nos.	
6.	BUSBAR (HT SLEEVED) : AS REQ.	
7.	INSTRUMENT CHAMBER DOOR : AS REQ.	
8.	BUSBAR SUPPORT INSULATOR : AS REQ.	
9.	INSPECTION WINDOW	
UNSPECIFIED TOLERANCE		
ABOVE	UPTO & INCLUDING	TOL.
0.5	6.0	±0.1
6.0	30.0	±0.3
30.0	120.0	±0.5
120.0	315.0	±1.0
315.0	1000.0	±2.0
1000.0	2500.0	±3.0



NOTE:- DIMENSION, ORIENTATION & LAYOUT OF DRAWING MAY CHANGE DURING DETAILED ENGINEERING



JOB NO. I-2041

5				
4				
3				
2				
1				
NO.	ECN NO.	REVISION	DATE	CHD.

SCALE

N.T.S.

ADLITE ELECTRICALS

ABB SYSTEM HOUSE

ALL DIMENSIONS ARE IN M.M. AND REQUIREMENT CHANGE AS PER MANUFACTURING REQUIREMENT AND ENGINEERING TOLERANCES.

SHEET NO. 3

NO. OF SHEET 3

TITLE	GENERAL ARRANGEMENT
PRODUCT	11KV,800A, 20kA INDOOR VCB PANEL (1 INCOMER + 2 OUTGOING VCB PANEL)
CLIENT	
CUSTOMER	----
CONSULTANT	----
PROJECT	----

QTY. 1NOS.	
DSGN.	AASID
DRN.	AASID
CHD.	G.M. RAI
APPD.	
DATE	14.09.2022
DRG. NO.	
PB570/201	

51

52

53

54

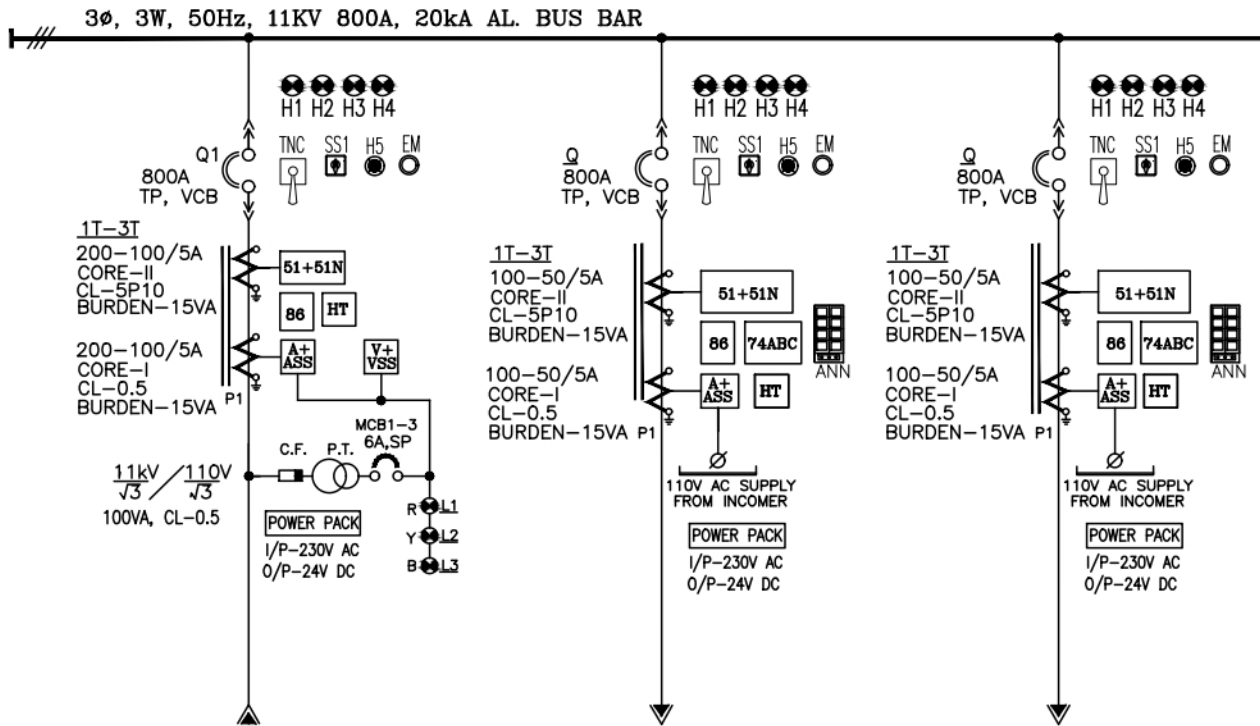
55

56

57

58

IF IN DOUBT ASK



FEEDER No.	1A, 1B & 1C	2A, 2B & 2C	3A, 3B & 3C
FEEDER RATING	800A	800A	800A
FEEDER DESCRIPTION	INCOMER	OUTGOING-1	OUTGOING-2
CABLE SIZE IN mm2	--	--	--
SCH.DRW. MODULE	--	--	--



THIS DRG. IS THE SOLE PROPERTY OF UNAUTHORIZED USE OF THIS DRG. OR MAKING PRODUCT AS PER OUR DRG. WITHOUT OUR PERMISSION OR ANY OTHER MISUSE IS NOT PERMITTED

JOB NO. L-2041

5					
4					
3					
2					
1					
NO.	ECN NO.	REVISION	DATE	CHD.	N.T.S.

ADLITE ELECTRICALS

ALL DIMENSIONS ARE IN M.M. AND REQUIREMENT CHANGE AS PER MANUFACTURING REQUIREMENT AND ENGINEERING TOLERANCES.

TITLE	SINGLE LINE DIAGRAM
PRODUCT	11kV,800A, 20kA INDOOR VCB PANEL (1 INCOMER + 2 OUTGOING VCB PANEL)
CLIENT	-----
CUSTOMER	-----
CONSULTANT	-----
PROJECT	-----
SHEET NO.	1
NO. OF SHEET	1

QTY. 1NOS.	DSGN. AASID
	DRN. AASID
	CHD. G.M. RAI
	APPD. -----
	DATE 14.09.2022
	DRG. NO. PB570/301

61

62

63

64

65

66

67

68

IF IN DOUBT ASK

BILL OF MATERIAL

S.No.	LEGENDS	DESCRIPTION	MAKE	TYPE	RATING	QTY.		
						I/C	O/G	TOTAL
		VACUUM CIRCUIT BREAKER						
1	VCB	11KV VACUUM CIRCUIT BREAKER DRAW OUT TYPE HAVING FOLLOWING ACCESSORIES. 220V AC SPRING CHARGING MOTOR 24V DC CLOSING COIL 24V DC SHUNT TRIP COIL AUX. CONTACT: 6NO+6NC OPERATING COUNTER MECHANICAL ON/OFF PUSH BUTTONS MECHANICAL INDICATORS FOR ON/OFF, SPRING CHARGED/DISCHARGED MANUAL SPRING CHARGING DEVICE.	ABB	V-D4	800A, TP, 20kA-3SEC.	01	02	03
		PROTECTION RELAYS & ACCESSORIES						
2	51+51N	3 O/C +1 EARTH/FAULT NUMERICAL RELAY	C&S	CSNEXI101	24V DC, CTR/5A	01	02	03
3	86	MASTER TRIP RELAY	C&S	CLR	24V DC	01	02	03
4	74ABC	AUX. RELAY 3 ELEMENT FOR TRF. PROTECTION	C&S	CAR	24V DC	-	02	02
5	94	PLA RELAY WITH BASE FOR ANTI PUMPING	PLA/ABB	94	24V DC , 2C/0	01	02	03
		INSTRUMENT TRANSFORMERS						
6	C.T.	DUAL CORE, DUAL RATIO CURRENT TRANSFORMER 11KV RESIN CAST TYPE	SAVIO/AVCON/ NORTEX	WPL, RESIN CAST	RATIO: 200-100/5-5A CORE-1:15VA CL-0.5 CORE-2:15VA CL-5P10	03	-	03
					RATIO: 100-50/5-5A CORE-1:15VA CL-0.5 CORE-2:15VA CL-5P10	-	06	06
7	P.T.	POTENTIAL TRANSFORMER INDOOR SINGLE PHASE RESIN CAST, FIXED TYPE		RESIN CAST	RATIO:11KV/ $\sqrt{3}$ /110V/ $\sqrt{3}$ 100VA CL -0.5	03	-	03
		FUSE						
8	H.F.	12KV,3.15A P.T. FUSE LINKS	PANICKER/ REPUTED		3.15A,11KV	03	-	03

ABB
SYSTEM HOUSE

JOB NO. L-2041

QTY. 1NOS.

5					
4					
3					
2					
1					
NO.	ECN NO.	REVISION	DATE	CHD.	N.T.S.



SCALE



ADLITE ELECTRICALS

ALL DIMENSIONS ARE IN M.M. AND
REQUIREMENT CHANGE AS PER
MANUFACTURING REQUIREMENT
AND ENGINEERING TOLERANCES.

SHEET NO. 1
NO. OF SHEET 3

TITLE	BILL OF MATERIAL	DSGN.	AASID
PRODUCT	11KV,800A, 20kA INDOOR VCB PANEL (1 INCOMER + 2 OUTGOING VCB PANEL)	DRN.	AASID
CLIENT		CHD.	G.M. RAI
CUSTOMER	----	APPD.	
CONSULTANT	----	DATE	14.09.2022
PROJECT	----	DRG. NO.	
			PB570/401

THIS DRG. IS THE SOLE PROPERTY OF ADLITE ELECTRICALS. UNAUTHORIZED USE OF THIS DRG. OR MAKING PRODUCT AS PER OUR DRG. WITHOUT OUR PERMISSION OR ANY OTHER MISUSE IS NOT PERMITTED.

61

62

63

64

65

66

67

68

IF IN DOUBT ASK

BILL OF MATERIAL

S.No.	LEGENDS	DESCRIPTION	MAKE	TYPE	RATING	QTY.		
						I/C	O/G	TOTAL
METERS								
9	V+VSS	DIGITAL VOLTMETER WITH VSS FLUSH TYPE, 96 Sq.mm	SECURE		PTR 11KV/110V AC	01	-	01
	A+ASS	DIGITAL AMMETER WITH ASS FLUSH TYPE, 96 Sq.mm			CTR/5A, CL-0.5 AUX. 110V AC	01	02	03
INDICATING LIGHTS								
10	L1	RED	ABB	LED	63.5V AC	01	-	01
	L2	YELLOW				01	-	01
	L3	BLUE				01	-	01
	H1,H5	RED			24V DC	01	02	03
	H2	GREEN				01	02	03
	H3	AMBER				01	02	03
	H4	BLUE				01	02	03
PUSH BUTTON								
11	H5	RED ILLUMINATED PUSH BUTTON	ESBEE- L&T/ABB	LED	24V DC	01	02	03
CONTROL MCB								
12	MCB	MINIATURE CIRCUIT BREAKER	ABB/HAVELLS	SP, 10KA	6A	09	12	21
				DP, 10KA	6A	02	06	08

THIS DRG. IS THE SOLE PROPERTY OF UNAUTHORIZED USE OF THIS DRG. OR MAKING PRODUCT AS PER OUR DRG. WITHOUT OUR PERMISSION OR ANY OTHER MISUSE IS NOT PERMITTED

JOB NO. L-2041

ABB
SYSTEM HOUSE

QTY. 1NOS.

5					
4					
3					
2					
1					
NO.	ECN NO.	REVISION	DATE	CHD.	SCALE N.T.S.



ADLITE ELECTRICALS

ABB
SYSTEM HOUSE

ALL DIMENSIONS ARE IN M.M AND
REQUIREMENT CHANGE AS PER
MANUFACTURING REQUIREMENT
AND ENGINEERING TOLERANCES.

SHEET NO.	2
NO. OF SHEET	3

TITLE	BILL OF MATERIAL	DSGN.	AASID
PRODUCT	11KV,800A, 20KA INDOOR VCB PANEL (1 INCOMER + 2 OUTGOING VCB PANEL)	DRN.	AASID
CLIENT		CHD.	G.M. RAI
CUSTOMER	----	APPD.	
CONSULTANT	----	DATE	14.09.2022
PROJECT	----	DRG. NO.	PB570/401

61

62

63

64

65

66

67

68

IF IN DOUBT ASK

BILL OF MATERIAL


S.No.	LEGENDS	DESCRIPTION	MAKE	TYPE	RATING	QTY.		
						I/C	O/G	TOTAL
		MISCELLANEOUS						
13	PP	POWER PACK 220/24V DC, 7AH	MAHAMAI	----	24V DC	01	02	03
14	ANN	ANNUNCIATOR WITH INBUILT PUSH BUTTON	SECO	8 WINDOW	24V DC	-	02	02
15	H	HOOTER, 96SQ.MM.	ADITYA	----	24V DC	01	02	03
16	SH	SPACE HEATER	HOTWELL	STRIPS	100WATT, 230V AC	01	02	03
17	TH	THERMOSTAT	ELCON	1 C/O	30-110DEG. 230V AC	01	02	03
18	SSW	SINGLE PHASE THREE PIN PLUG & SOCKET	ANCHOR	3PIN	15A, 240V AC	01	02	03
19	DS	DOOR LIMIT SWITCH FOR CUBICAL LAMP	KAYCEE	----	230V AC	01	02	03
20	NL	NEUTRAL LINK	FTC	----	32A	03	04	07
21	EM	EMERGENCY PUSH BUTTON	ESBEE	----	1NO+1NC	01	02	03
22	SS1	SELECTOR SWITCH	SALZER/KAYCEE	2P 2W WITH OFF	6A	01	02	03
23	LED	LED BULB FOR PANEL ILLUMINATION	SWITCHER	5W	240V AC	01	02	03
24	-	HOLDER FOR PANEL ILLUMINATION	ANCHOR	--	--	01	02	03
25	TS	TOGGLE SWITCH FOR HEATER	FTC	----	10A	01	02	03
26	TNC	BREAKER CONTROL SWITCH	SALZER/KAYCEE	TNC	25A 1NO+NC	01	02	03
27	CTL	CT TERMINAL 6MM	CONNECTWEL	----	----	20	12	32
28	--	STOPPER AND END PLATE FOR CT TERMINAL	CONNECTWEL	----	----	03	06	09


THIS DRG. IS THE SOLE PROPERTY OF UNAUTHORIZED USE OF THIS DRG. OR MAKING PRODUCT AS PER OUR DRG WITHOUT OUR PERMISSION OR ANY OTHER MISUSE IS NOT PERMITTED

JOB NO. L-2041

5					
4					
3					
2					
1					
NO.	ECN NO.	REVISION	DATE	CHD.	SCALE N.T.S.




ADLITE ELECTRICALS


ABB SYSTEM HOUSE

ALL DIMENSIONS ARE IN M.M. AND REQUIREMENT CHANGE AS PER MANUFACTURING REQUIREMENT AND ENGINEERING TOLERANCES.

SHEET NO.	3
NO. OF SHEET	3

TITLE	BILL OF MATERIAL
PRODUCT	11KV,800A, 20KA INDOOR VCB PANEL (1 INCOMER + 2 OUTGOING VCB PANEL)
CLIENT	-----
CUSTOMER	-----
CONSULTANT	-----
PROJECT	-----

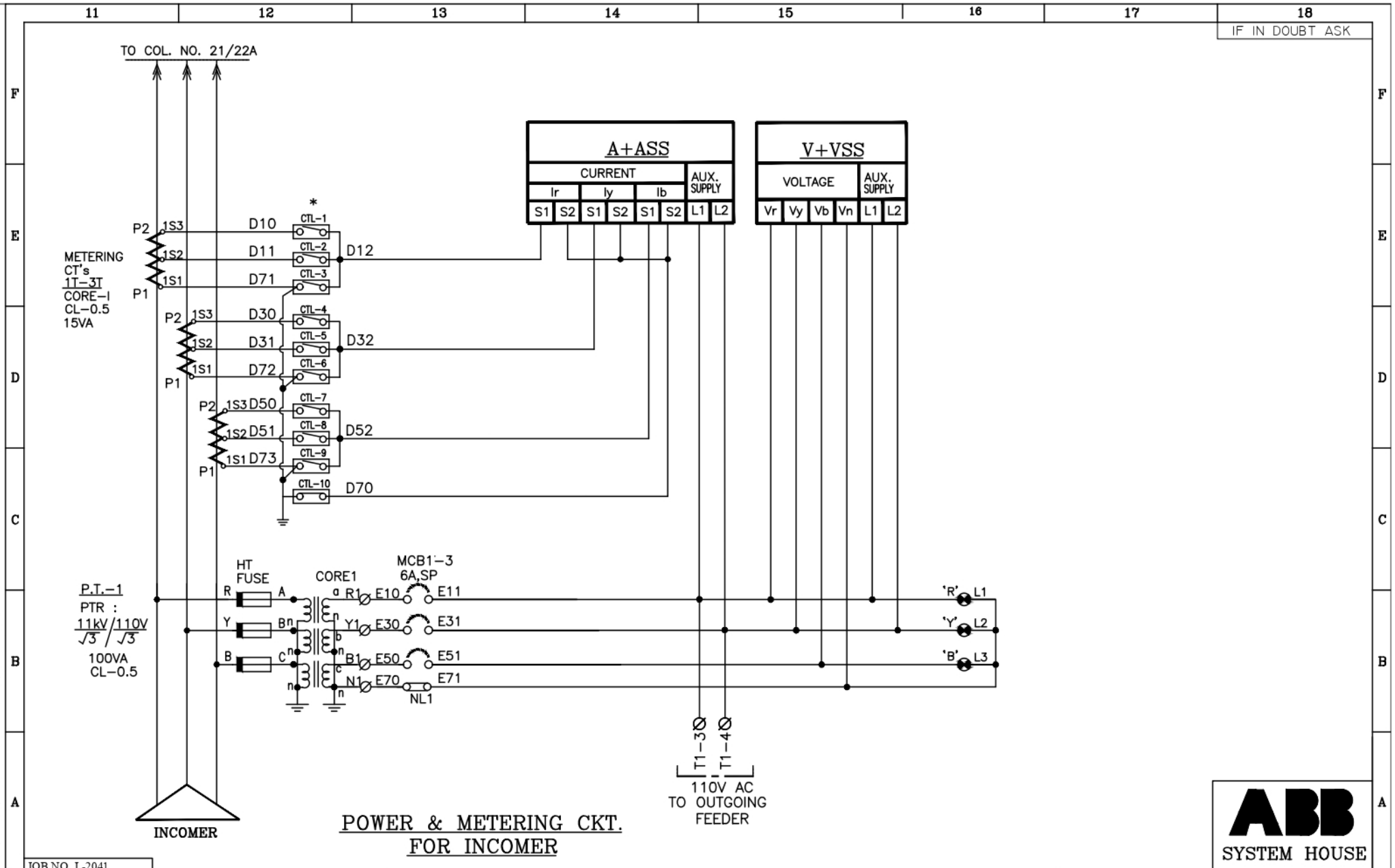


QTY. 1NOS.


DSGN.	AASID
DRN.	AASID
CHD.	G.M. RAI
APPD.	-----
DATE	14.09.2022
DRG. NO.	PB570/401

IF IN DOUBT ASK


THIS DRG. IS THE SOLE PROPERTY OF UNAUTHORIZED USE OF THIS DRG. OR MAKING PRODUCT AS PER OUR DRG. WITHOUT OUR PERMISSION OR ANY OTHER MISUSE IS NOT PERMITTED



5					
4					
3					
2					
1					
NO.	ECN NO.	REVISION	DATE	CHD.	N.T.S.



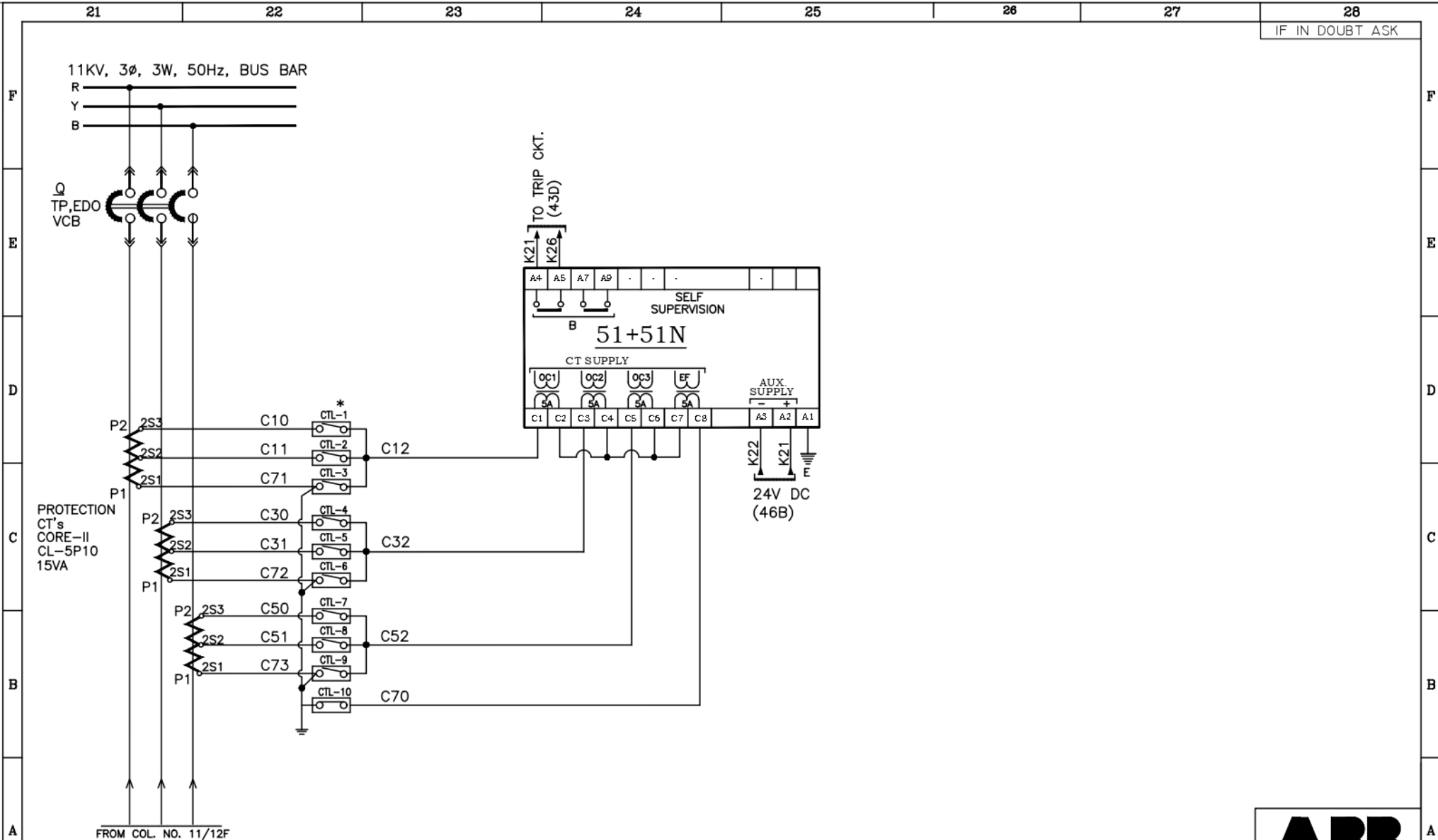
ADLITE ELECTRICALS



ALL DIMENSIONS ARE IN M.M. AND REQUIREMENT CHANGE AS PER MANUFACTURING REQUIREMENT AND ENGINEERING TOLERANCES.

SHEET NO.	1
NO. OF SHEET	13

TITLE	SCHEMATIC DIAGRAM	DSGN.	AASID
PRODUCT	11kV,800A, 20kA INDOOR VCB PANEL (1 INCOMER + 2 OUTGOING VCB PANEL)	DRN.	AASID
CLIENT		CHD.	G.M. RAI
CUSTOMER	----	APPD.	
CONSULTANT	----	DATE	14.09.2022
PROJECT	----	DRG. NO.	
		PB570/501	



**POWER & METERING CKT.
FOR INCOMER**



THIS DRG. IS THE SOLE PROPERTY OF ASIATIC ELECTRICAL & SWITCHGEAR P. LTD. UNAUTHORIZED USE OF THIS DRG. OR MAKING PRODUCT AS PER OUR DRG. WITHOUT OUR PERMISSION OR ANY OTHER MISUSE IS NOT PERMITTED

JOB NO. L-2041

5					
4					
3					
2					
1					
NO.	ECN NO.	REVISION	DATE	CHD.	N.T.S.

ADLITE ELECTRICALS

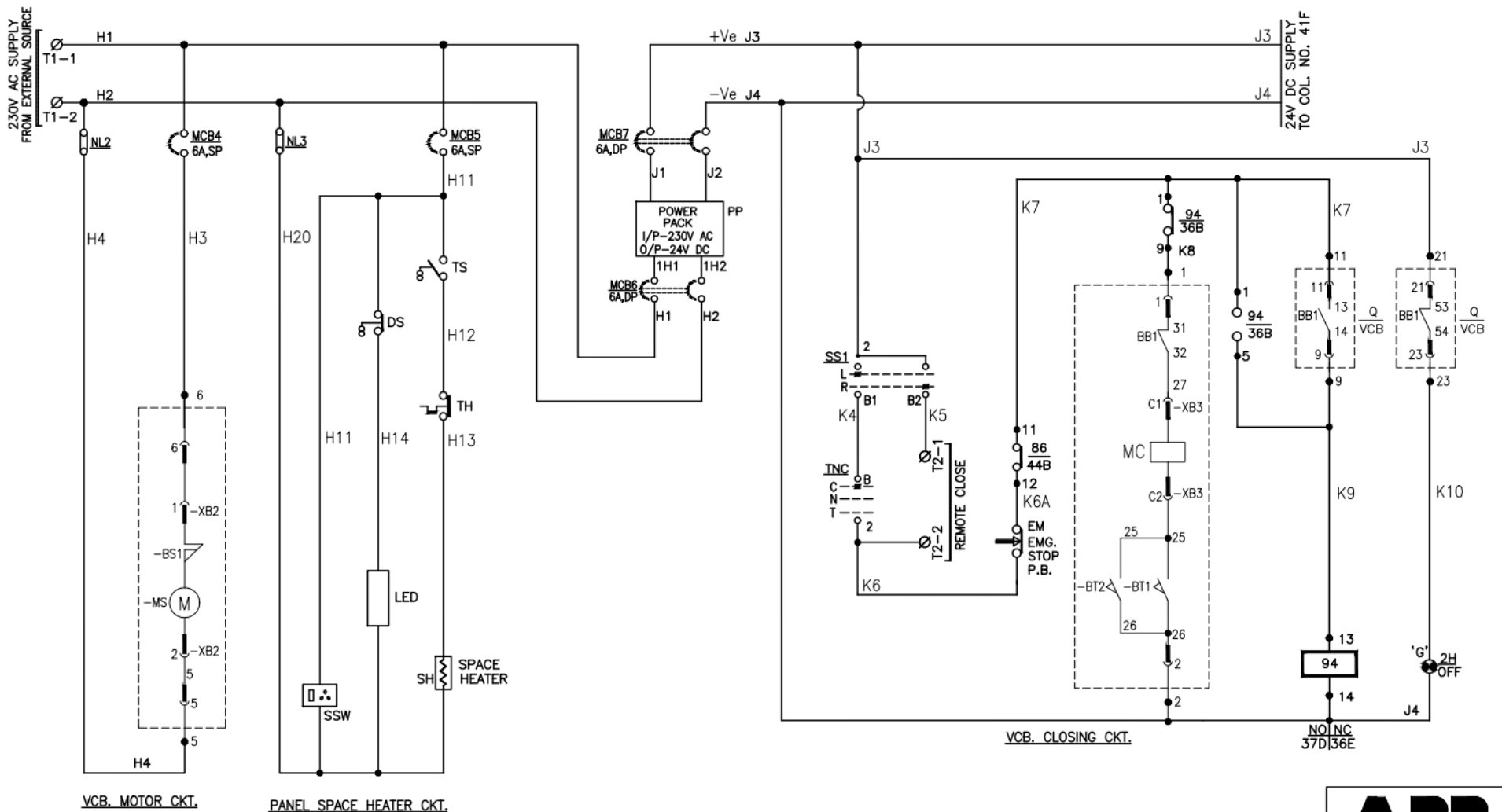
ALL DIMENSIONS ARE IN M.M. AND REQUIREMENT CHANGE AS PER MANUFACTURING REQUIREMENT AND ENGINEERING TOLERANCES.

SHEET NO.	2
NO. OF SHEET	13

TITLE	SCHEMATIC DIAGRAM
PRODUCT	11KV,800A, 20KA INDOOR VCB PANEL (1 INCOMER + 2 OUTGOING VCB PANEL)
CLIENT	----
CUSTOMER	----
CONSULTANT	----
PROJECT	----

DSGN.	AASID
DRN.	AASID
CHD.	G.M. RAI
APPD.	----
DATE	14.09.2022
DRG. NO.	PB570/501

IF IN DOUBT ASK



CONTROL CKT. DIAGRAM FOR INCOMER



THIS DRG. IS THE SOLE PROPERTY OF UNAUTHORIZED USE OF THIS DRG. OR MAKING PRODUCT AS PER OUR DRG. WITHOUT OUR PERMISSION OR ANY OTHER MISUSE IS NOT PERMITTED

JOB NO. L-2041

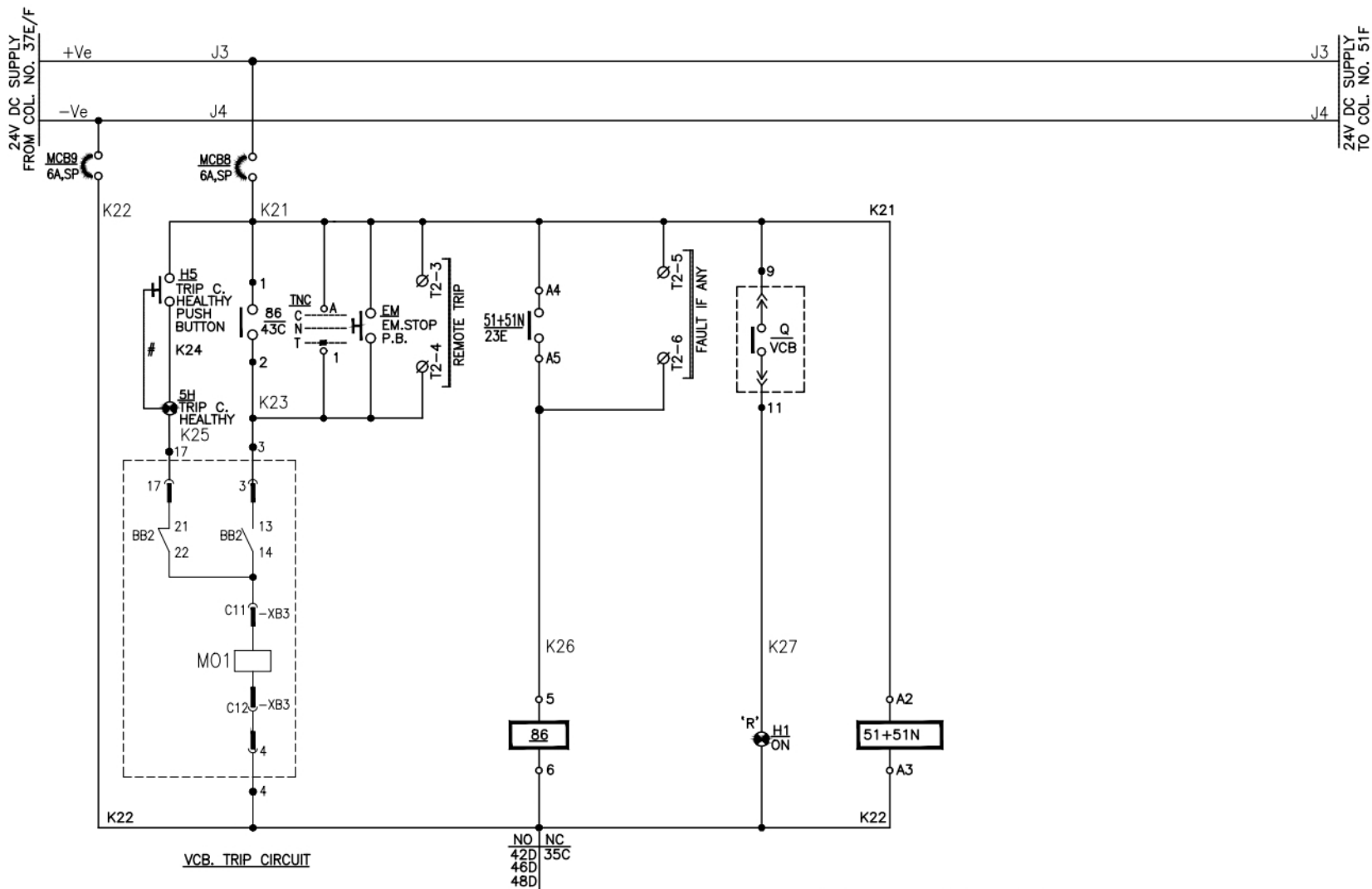
5					
4					
3					
2					
1					
NO.	ECN NO.	REVISION	DATE	CHD.	N.T.S.

ADLITE ELECTRICALS

ALL DIMENSIONS ARE IN M.M. AND REQUIREMENT CHANGE AS PER MANUFACTURING REQUIREMENT AND ENGINEERING TOLERANCES.

SHEET NO.	3
NO. OF SHEET	13

TITLE	SCHEMATIC DIAGRAM		DSGN.	AASID
PRODUCT	11kV,800A, 20KA INDOOR VCB PANEL (1 INCOMER + 2 OUTGOING VCB PANEL)		DRN.	AASID
CLIENT	----		CHD.	G.M. RAI
CUSTOMER	----		APPD.	
CONSULTANT	----		DATE	14.09.2022
PROJECT	----		DRG. NO.	
				PB570/501



VCB. TRIP CIRCUIT

MASTER TRIP RELAY CKT.

**CONTROL CKT. DIAGRAM
FOR INCOMER**



THIS DRG. IS THE SOLE PROPERTY OF UNAUTHORIZED USE OF THIS DRG. OR MAKING PRODUCT AS PER OUR DRG WITHOUT OUR PERMISSION OR ANY OTHER MISUSE IS NOT PERMITTED

JOB NO. L-2041

5				
4				
3				
2				
1				
NO.	ECN NO.	REVISION	DATE	CHD.

SCALE
N.T.S.

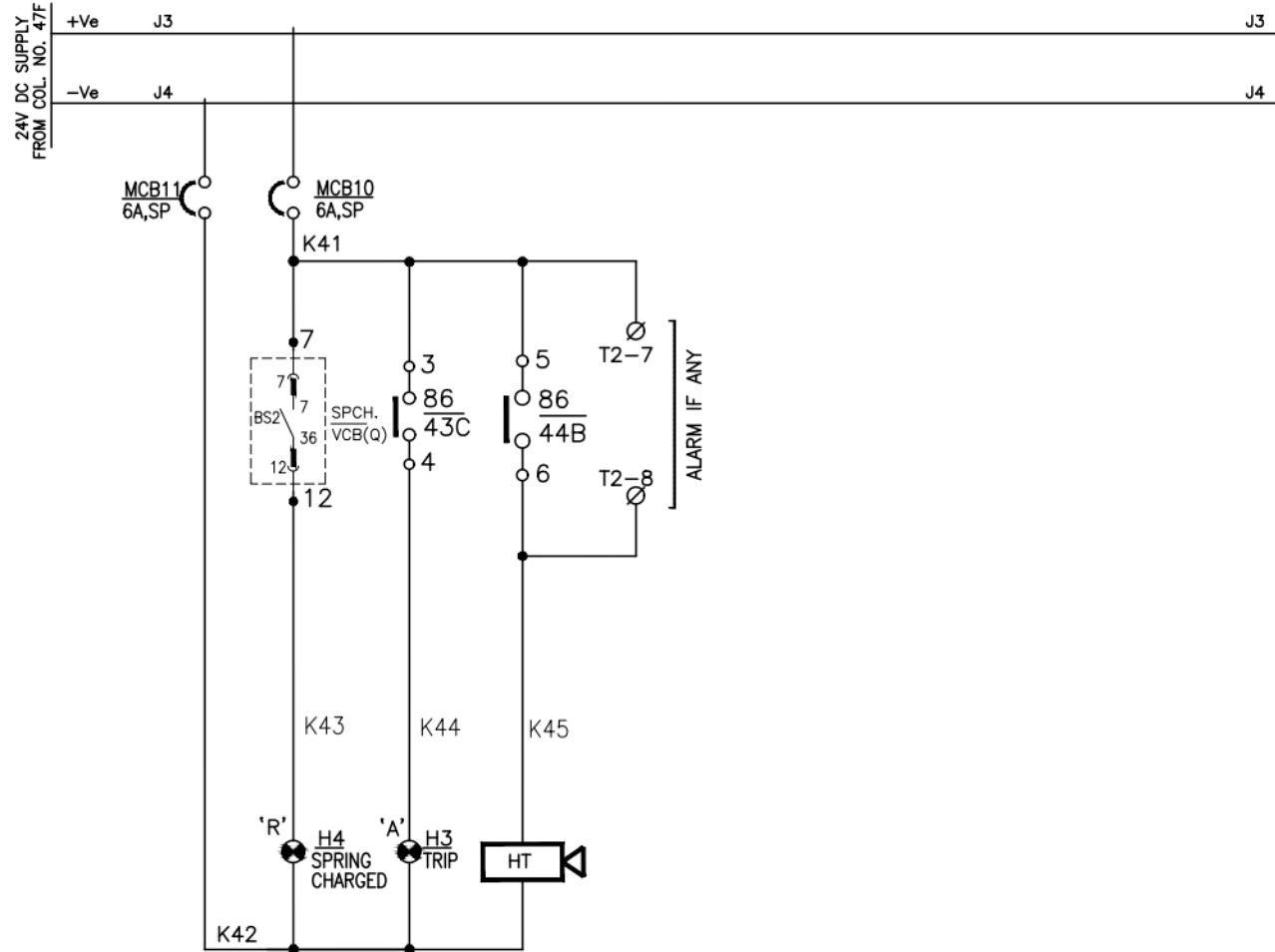
ADLITE ELECTRICALS

ALL DIMENSIONS ARE IN M.M. AND REQUIREMENT CHANGE AS PER MANUFACTURING REQUIREMENT AND ENGINEERING TOLERANCES.

SHEET NO.	4
NO. OF SHEET	13

TITLE	SCHEMATIC DIAGRAM
PRODUCT	11kV,800A, 20KA INDOOR VCB PANEL (1 INCOMER + 2 OUTGOING VCB PANEL)
CLIENT	----
CUSTOMER	----
CONSULTANT	----
PROJECT	----

DSGN.	AASID
DRN.	AASID
CHD.	G.M. RAI
APPD.	
DATE	14.09.2022
DRG. NO.	
	PB570/501



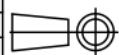
**ANN. CKT. DIAGRAM
FOR INCOMER**



JOB NO. L-2041

THIS DRG. IS THE SOLE PROPERTY OF ASIATIC ELECTRICAL & SWITCHGEAR P. LTD. UNAUTHORIZED USE OF THIS DRG. OR MAKING PRODUCT AC PER OUR DRG WITHOUT OUR PERMISSION OR ANY OTHER MISUSE IS NOT PERMITTED

5					
4					
3					
2					
1					
NO.	ECN NO.	REVISION	DATE	CHD.	N.T.S.



SCALE

N.T.S.



ADLITE ELECTRICALS

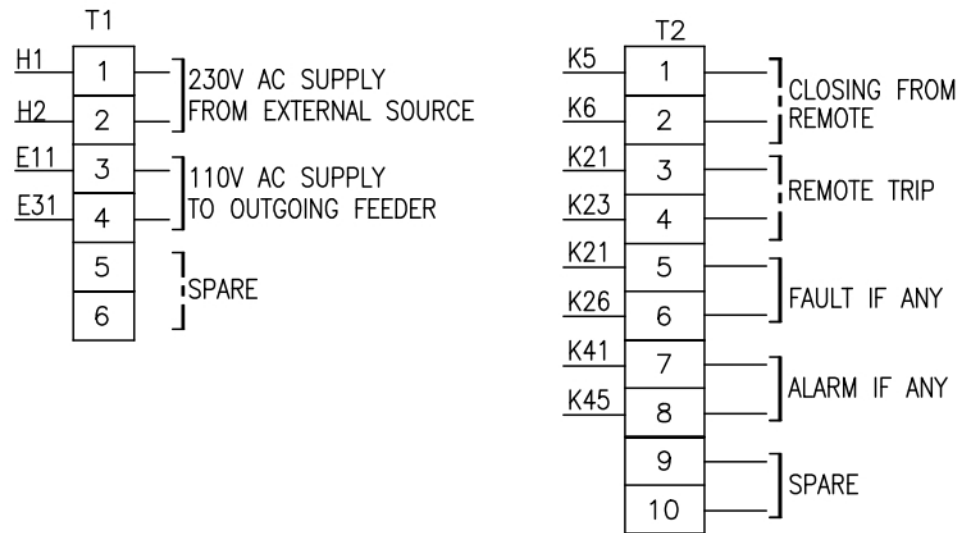


ALL DIMENSIONS ARE IN M.M. AND REQUIREMENT CHANGE AS PER MANUFACTURING REQUIREMENT AND ENGINEERING TOLERANCES.

SHEET NO.	5
NO. OF SHEET	13

TITLE	SCHEMATIC DIAGRAM
PRODUCT	11KV,800A, 20KA INDOOR VCB PANEL (1 INCOMER + 2 OUTGOING VCB PANEL)
CLIENT	----
CUSTOMER	----
CONSULTANT	----
PROJECT	----

DSGN.	AASID
DRN.	AASID
CHD.	G.M. RAI
APPD.	
DATE	14.09.2022
DRG. NO.	
	PB570/501




**TERMINAL DETAIL
FOR INCOMER**




JOB NO. L-2041


THIS DRG. IS THE SOLE PROPERTY OF UNAUTHORIZED USE OF THIS DRG. OR MAKING PRODUCT AS PER OUR DRG WITHOUT OUR PERMISSION OR ANY OTHER MISUSE IS NOT PERMITTED

5				
4				
3				
2				
1				
NO.	ECN NO.	REVISION	DATE	CHD.



 SCALE
 N.T.S.


ADLITE ELECTRICALS


ABB SYSTEM HOUSE

ALL DIMENSIONS ARE IN M.M. AND REQUIREMENT CHANGE AS PER MANUFACTURING REQUIREMENT AND ENGINEERING TOLERANCES.

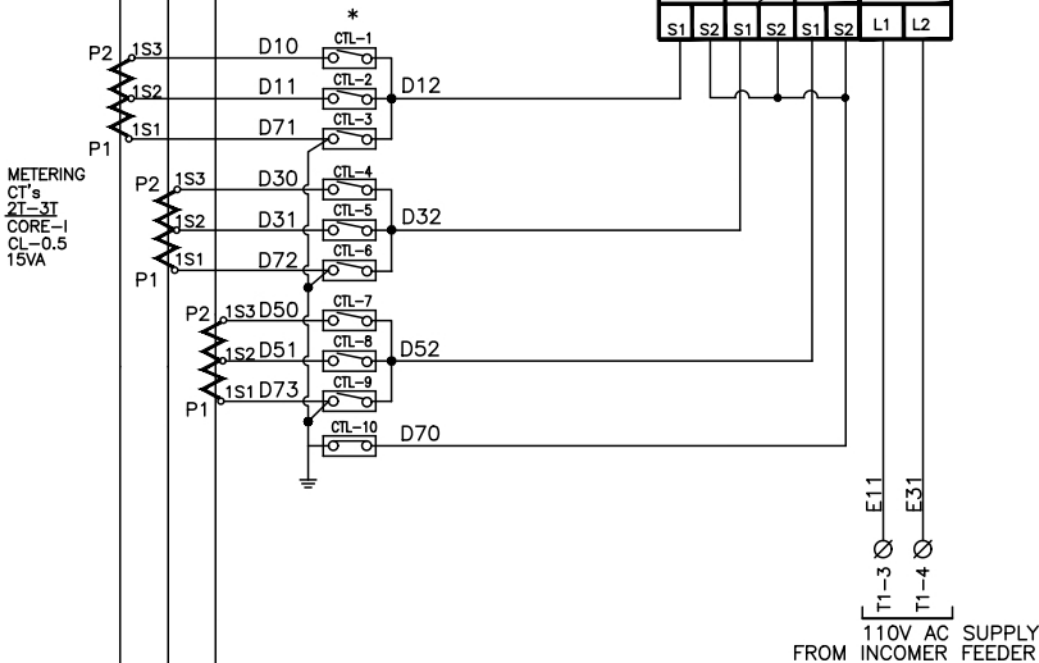
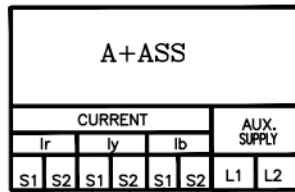
SHEET NO.	6
NO. OF SHEET	13

TITLE	SCHEMATIC DIAGRAM
PRODUCT	11KV,800A, 20KA INDOOR VCB PANEL (1 INCOMER + 2 OUTGOING VCB PANEL)
CLIENT	-----
CUSTOMER	-----
CONSULTANT	-----
PROJECT	-----

DSGN.	AASID
DRN.	AASID
CHD.	G.M. RAI
APPD.	
DATE	14.09.2022
DRG. NO.	
	PB570/501

11kV, 3 ϕ , 3W, 50Hz, BUS BAR
 R
 Y
 B

Q
 TP, EDO
 VCB



TO COL. NO. 71/72F

**POWER & METERING CKT.
 OUTGOING FEEDER-1,2**



THIS DRG. IS THE SOLE PROPERTY OF UNAUTHORIZED USE OF THIS DRG. OR MAKING PRODUCT AS PER OUR DRG. WITHOUT OUR PERMISSION OR ANY OTHER MISUSE IS NOT PERMITTED

JOB NO. L-2041

5				
4				
3				
2				
1				
NO.	ECN NO.	REVISION	DATE	CHD.

SCALE
 N.T.S.

ADLITE ELECTRICALS

ABB SYSTEM HOUSE

ALL DIMENSIONS ARE IN M.M. AND REQUIREMENT CHANGE AS PER MANUFACTURING REQUIREMENT AND ENGINEERING TOLERANCES.

SHEET NO.	7
NO. OF SHEET	13

TITLE	SCHEMATIC DIAGRAM
PRODUCT	11kV,800A, 20KA INDOOR VCB PANEL (1 INCOMER + 2 OUTGOING VCB PANEL)
CLIENT	----
CUSTOMER	----
CONSULTANT	----
PROJECT	----

DSGN.	AASID
DRN.	AASID
CHD.	G.M. RAI
APPD.	
DATE	14.09.2022
DRG. NO.	
	PB570/501

IF IN DOUBT ASK

FROM COL. NO. 61/62A

**CONTROL CKT.
OUTGOING FEEDER-1,2**

JOB NO. L-2041

THIS DRG. IS THE SOLE PROPERTY OF ADLITE ELECTRICALS. UNAUTHORIZED USE OF THIS DRG. OR MAKING PRODUCT AS PER OUR DRG. WITHOUT OUR PERMISSION OR ANY OTHER MISUSE IS NOT PERMITTED.

5					
4					
3					
2					
1					
NO.	ECN NO.	REVISION	DATE	CHD.	N.T.S.

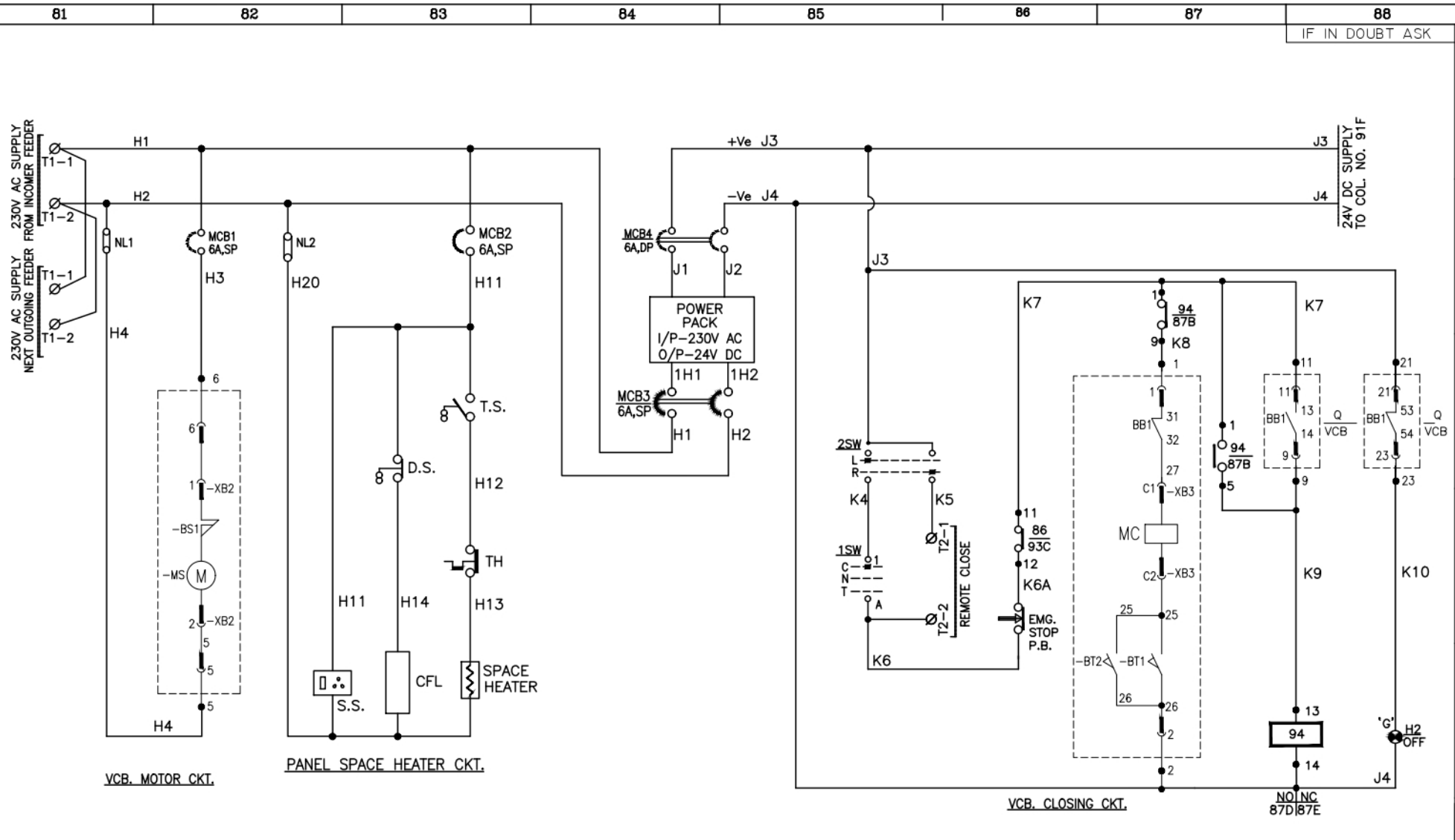
ADLITE ELECTRICALS

ALL DIMENSIONS ARE IN M.M. AND REQUIREMENT CHANGE AS PER MANUFACTURING REQUIREMENT AND ENGINEERING TOLERANCES.

SHEET NO.	8
NO. OF SHEET	13

TITLE	SCHEMATIC DIAGRAM
PRODUCT	11KV,800A, 20KA INDOOR VCB PANEL (1 INCOMER + 2 OUTGOING VCB PANEL)
CLIENT	----
CUSTOMER	----
CONSULTANT	----
PROJECT	----

DSGN.	AASID
DRN.	AASID
CHD.	G.M. RAI
APPD.	
DATE	14.09.2022
DRG. NO.	PB570/501



**CONTROL CKT.
OUTGOING FEEDER-1,2**



THIS DRG. IS THE SOLE PROPERTY OF ADLITE ELECTRICALS. UNAUTHORIZED USE OF THIS DRG. OR MAKING PRODUCT AS PER OUR DRG. WITHOUT OUR PERMISSION OR ANY OTHER MISUSE IS NOT PERMITTED.

JOB NO. L-2041

5					
4					
3					
2					
1					
NO.	ECN NO.	REVISION	DATE	CHD.	N.T.S.

ADLITE ELECTRICALS

ABB SYSTEM HOUSE

ALL DIMENSIONS ARE IN M.M. AND REQUIREMENT CHANGE AS PER MANUFACTURING REQUIREMENT AND ENGINEERING TOLERANCES.

SHEET NO. 9
NO. OF SHEET 13

TITLE	SCHEMATIC DIAGRAM	DSGN.	AASID
PRODUCT	11kV,800A, 20KA INDOOR VCB PANEL (1 INCOMER + 2 OUTGOING VCB PANEL)	DRN.	AASID
CLIENT		CHD.	G.M. RAI
CUSTOMER	----	APPD.	
CONSULTANT	----	DATE	14.09.2022
PROJECT	----	DRG. NO.	

PB570/501

IF IN DOUBT ASK

THIS DRG. IS THE SOLE PROPERTY OF ADLITE ELECTRICALS. UNAUTHORIZED USE OF THIS DRG. OR MAKING PRODUCT AS PER OUR DRG. WITHOUT OUR PERMISSION OR ANY OTHER MISUSE IS NOT PERMITTED.

JOB NO. L-2041

5				
4				
3				
2				
1				
NO.	ECN NO.	REVISION	DATE	CHD.



ADLITE ELECTRICALS



ABB SYSTEM HOUSE

ALL DIMENSIONS ARE IN M.M. AND REQUIREMENT CHANGE AS PER MANUFACTURING REQUIREMENT AND ENGINEERING TOLERANCES.

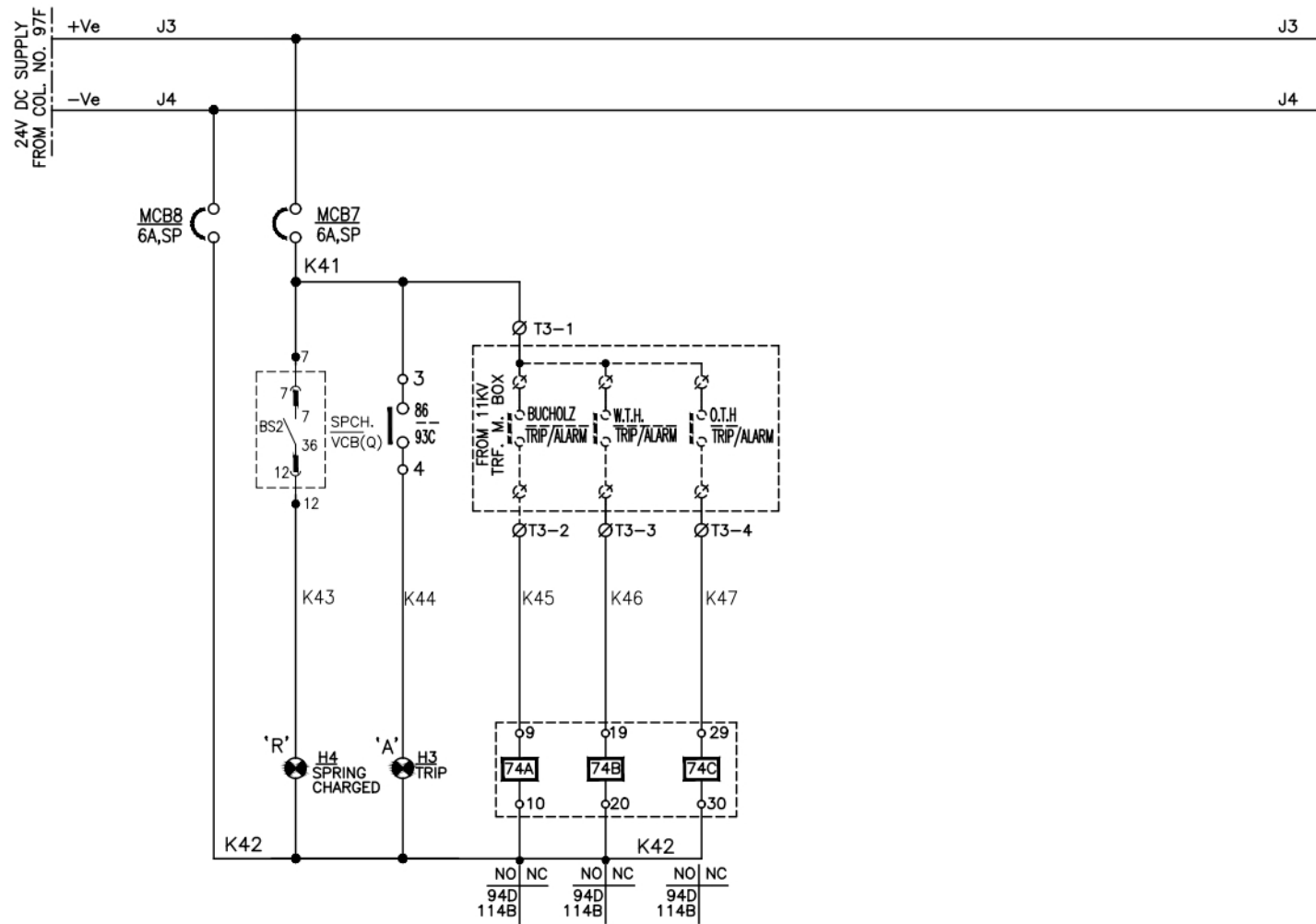
SHEET NO. 10
NO. OF SHEET 13

TITLE	SCHEMATIC DIAGRAM	DSGN.	AASID
PRODUCT	11kV,800A, 20KA INDOOR VCB PANEL (1 INCOMER + 2 OUTGOING VCB PANEL)	DRN.	AASID
CLIENT		CHD.	G.M. RAI
CUSTOMER	----	APPD.	
CONSULTANT	----	DATE	14.09.2022
PROJECT	----	DRG. NO.	



ABB SYSTEM HOUSE

PB570/501



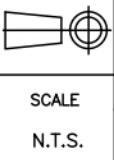
**CONTROL CKT.
OUTGOING FEEDER-1,2**



JOB NO. L-2041

THIS DRG. IS THE SOLE PROPERTY OF UNAUTHORIZED USE OF THIS DRG. OR MAKING PRODUCT AS PER OUR DRG WITHOUT OUR PERMISSION OR ANY OTHER MISUSE IS NOT PERMITTED

5				
4				
3				
2				
1				
NO.	ECN NO.	REVISION	DATE	CHD.



ADLITE ELECTRICALS

ALL DIMENSIONS ARE IN M.M. AND REQUIREMENT CHANGE AS PER MANUFACTURING REQUIREMENT AND ENGINEERING TOLERANCES.

SHEET NO.	11
NO. OF SHEET	13

TITLE	SCHEMATIC DIAGRAM
PRODUCT	11KV,800A, 20KA INDOOR VCB PANEL (1 INCOMER + 2 OUTGOING VCB PANEL)
CLIENT	----
CUSTOMER	----
CONSULTANT	----
PROJECT	----

DSGN.	AASID
DRN.	AASID
CHD.	G.M. RAI
APPD.	----
DATE	14.09.2022
DRG. NO.	----

PB570/501

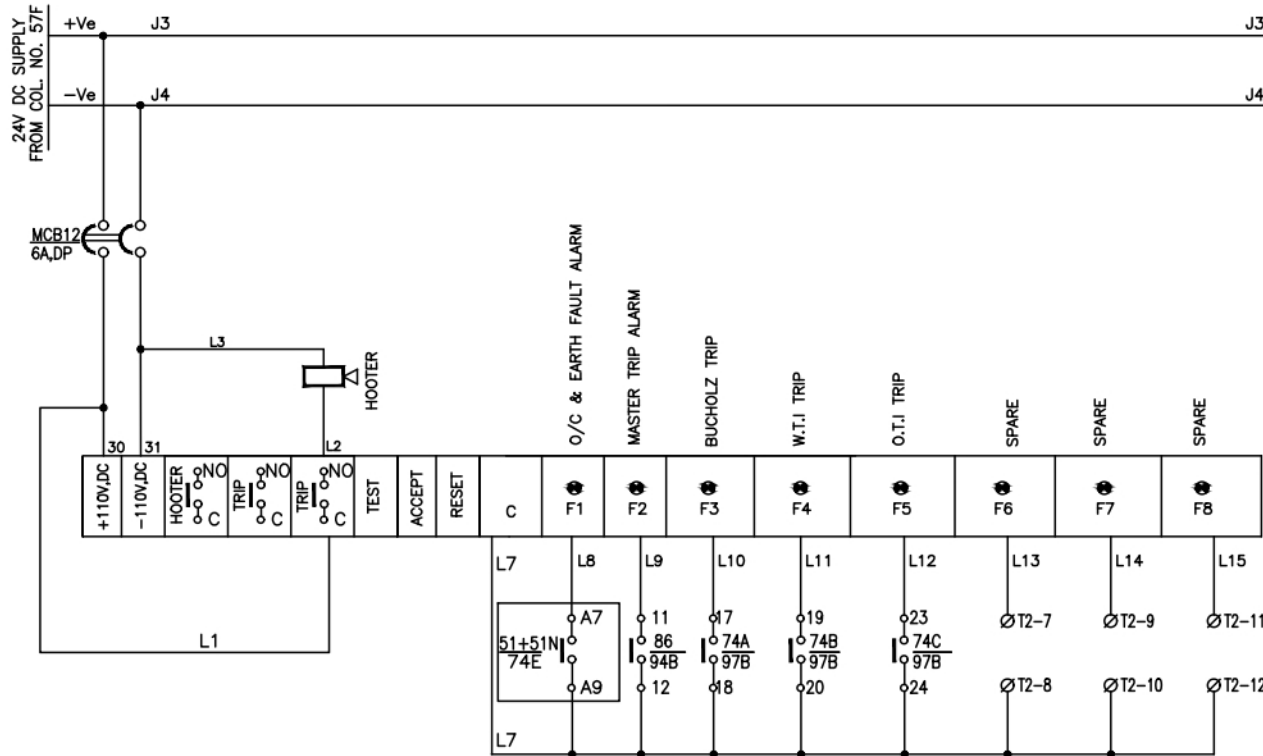
THIS DRG. IS THE SOLE PROPERTY OF UNAUTHORIZED USE OF THIS DRG. OR MAKING PRODUCT AS PER OUR DRG. WITHOUT OUR PERMISSION OR ANY OTHER MISUSE IS NOT PERMITTED

111 112 113 114 115 116 117 118

IF IN DOUBT ASK

F
E
D
C
B
A

F
E
D
C
B
A



**ANN. CKT.
OUTGOING FEEDER-1,2**



JOB NO. L-2041

5					
4					
3					
2					
1					
NO.	ECN NO.	REVISION	DATE	CHD.	N.T.S.



ADLITE ELECTRICALS



ALL DIMENSIONS ARE IN M.M. AND REQUIREMENT CHANGE AS PER MANUFACTURING REQUIREMENT AND ENGINEERING TOLERANCES.

SHEET NO.	12
NO. OF SHEET	13

TITLE	SCHEMATIC DIAGRAM	DSGN.	AASID
PRODUCT	11KV,800A, 20KA INDOOR VCB PANEL (1 INCOMER + 2 OUTGOING VCB PANEL)	DRN.	AASID
CLIENT		CHD.	G.M. RAI
CUSTOMER	----	APPD.	
CONSULTANT	----	DATE	14.09.2022
PROJECT	----	DRG. NO.	
		PB570/501	

THIS DRG. IS THE SOLE PROPERTY OF ABB. UNAUTHORIZED USE OF THIS DRG. OR MAKING PRODUCT AS PER OUR DRG. WITHOUT OUR PERMISSION OR ANY OTHER MISUSE IS NOT PERMITTED.

121

122

123

124

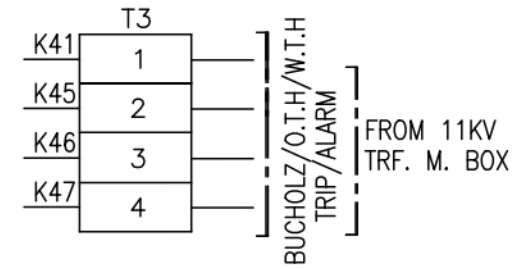
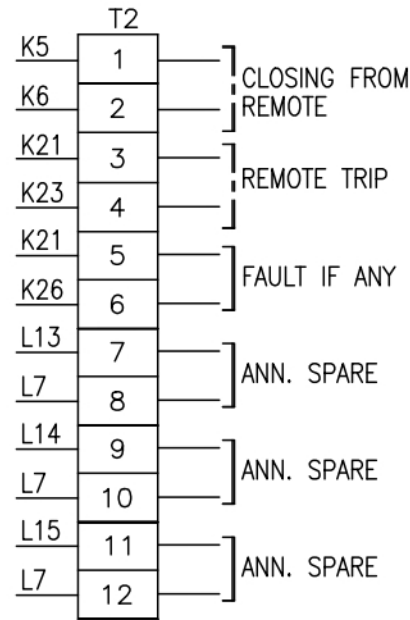
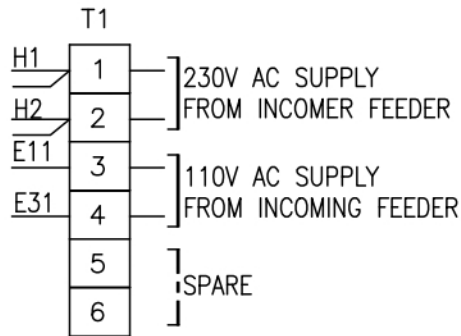
125

126

127

128

IF IN DOUBT ASK



**TERMINAL DETAILS
OUTGOING FEEDER-1,2**



JOB NO. L-2041

5				
4				
3				
2				
1				
NO.	ECN NO.	REVISION	DATE	CHD.

<p>SCALE N.T.S.</p>	<p>ADLITE ELECTRICALS</p>	<p>ABB SYSTEM HOUSE</p>	<p>ALL DIMENSIONS ARE IN M.M. AND REQUIREMENT CHANGE AS PER MANUFACTURING REQUIREMENT AND ENGINEERING TOLERANCES.</p>	
			<p>SHEET NO. 13</p> <p>NO. OF SHEET 13</p>	

TITLE	SCHEMATIC DIAGRAM	DSGN.	AASID
PRODUCT	11KV,800A, 20KA INDOOR VCB PANEL (1 INCOMER + 2 OUTGOING VCB PANEL)	DRN.	AASID
CLIENT		CHD.	G.M. RAI
CUSTOMER	----	APPD.	
CONSULTANT	----	DATE	14.09.2022
PROJECT	----	DRG. NO.	

PB570/501