

11

12

13

14

15

16

17

18

IF IN DOUBT ASK

F

# TITLE SHEET

F

E

TITLE : 11kV, 1250A, 26.3kA INDOOR TYPE VCB PANEL

E

D

CLIENT :

D

PROJECT : -----

C

DRG.NO : PB570/100/101/102/201/301/401/501

C

QTY. : 1Nos. (INCOMING CUM OUTGOING VCB PANEL)

B

PO. NO. : FB-P0-22-23/127                      DATED 30.11.2022

B

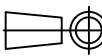
A



A

JOB NO. L-2126

5				
4				
3				
2				
1				
NO.	ECN NO.	REVISION	DATE	CHD.


SCALE
N.T.S.



**ADLITE ELECTRICALS**



ALL DIMENSIONS ARE IN M.M. AND  
REQUIREMENT CHANGE AS PER  
MANUFACTURING REQUIREMENT  
AND ENGINEERING TOLERANCES.

SHEET NO.	1
NO. OF SHEET	1

TITLE	TITLE SHEET
PRODUCT	11kV,1250A, 26.3kA INDOOR VCB PANEL (INCOMING CUM OUTGOING VCB PANEL)
CLIENT	M/s ADLITE ELECTRICALS
CONSULTANT	----
CUSTOMER	----
PROJECT	----

DSGN.	AASID
DRN.	AASID
CHD.	G.M. RAI
APPD.	
DATE	12.12.2022
DRG. NO.	PB570/100

THIS DRG. IS THE SOLE PROPERTY OF  
UNAUTHORISED USE OF THIS DRG. OR, MAKING PRODUCT AS PER OUR DRG.  
WITHOUT OUR PERMISSION OR ANY OTHER MISUSE IS NOT PERMITTED

21

22

23

24

25

26

27

28

IF IN DOUBT ASK

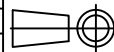
# LEGENDS

S.No.	SYMBOL	DESCRIPTION	S.No.	SYMBOL	DESCRIPTION
1		TRI-VECTOR METER	21		BREAKER CONTROL SWITCH
2		MULTI FUNCTION METER	22		TEST TERMINAL BLOCK
3		AMMETER+VOLTMETER+FREQUENCY METER	23		HOOTER
4		POWER FACTOR METER	24		PUSH BUTTON
5		AMMETER WITH INBUILT SELECTOR SWITCH	25		ILLUMINATED TYPE PUSH BUTTON
6		VOLTMETER WITH INBUILT SELECTOR SWITCH	26		EMERGENCY STOP PUSH BUTTON
7		AMMETER	27		INDICATION LAMP
8		VOLTMETER	28		NORMALLY OPEN CONTACT
9		AMMETER/VOLTMETER/AUTO MANUAL/LOCAL REMOTE SELECTOR SWITCH	29		NORMALLY CLOSE CONTACT
10		VACUUM CIRCUIT BREAKER	30		POTENTIAL TRANSFORMER
11		ANNUNCIATOR	31		CURRENT TRANSFORMER
12		30/C+1E/F RELAY WITH HIGH SET	32		CONTROL FUSE
13		30/C+1E/F RELAY	33		CONTROL MCB
14		RESTRICTED E/F RELAY	34		SPACE HEATER
15		DIFFERENTIAL E/F RELAY	35		PANEL ILLUMINATION
16		MASTER TRIP RELAY	36		DOOR SWITCH
17		TRIP CIRCUIT SUPERVISION RELAY	37		TOGGLE SWITCH
18		AUX. RELAY FOR TRF. FAULT	38		THERMOSTAT
19		ANTI PUMPING RELAY	39		CT SHORTING TERMINAL
20		GAS PRESSURE RELAY	40		POWER & CONTROL TERMINAL

**ABB**  
SYSTEM HOUSE

JOB NO. L-2126

5					
4					
3					
2					
1					
NO.	ECN NO.	REVISION	DATE	CHD.	N.T.S.



SCALE

**ABB**  
SYSTEM HOUSE



ADLITE ELECTRICALS

ALL DIMENSIONS ARE IN M.M. AND  
REQUIREMENT CHANGE AS PER  
MANUFACTURING REQUIREMENT  
AND ENGINEERING TOLERANCES.

SHEET NO.	1
NO. OF SHEET	1

TITLE	LEGENDS	DSGN.	AASID
PRODUCT	11kV,1250A, 26.3kA INDOOR VCB PANEL (INCOMING CUM OUTGOING VCB PANEL)	DRN.	AASID
CLIENT	M/s ADLITE ELECTRICALS	CHD.	G.M. RAI
CONSULTANT	----	APPD.	
CUSTOMER	----	DATE	12.12.2022
PROJECT	----	DRG. NO.	
			PB570/101

31

32

33

34

35

36

37

38

IF IN DOUBT ASK

## NOTES FOR HT SWITCH BOARD:-

1. ALL DIMENSIONS ARE IN mm.
2. THE PANELS SHALL BE DUST & VERMIN PROOF, FREE STANDING, FLOOR MOUNTED AND COMPARTMENTALISED.
3. THE PANEL SHALL BE SUITABLE FOR 3Ø, 3W 11kV 50HZ SUPPLY .
4. THE PANEL SHALL BE FABRICATED WITH
  - A. SIDE SHEET, PARTITION, EQUIPMENT MOUNTING PLATE, AND FRONT/REAR DOOR/REMOVABLE TOP & BOTTOM SHEET - 2 MM. CRCA.
  - B. UNDRILLED REMOVABLE GLAND PLATE - 3 MM. CRCA.
  - C. BASE FRAME - 3 MM. CRCA.
5. EPDM RUBBER GASKET SHALL BE PROVIDED INSIDE THE DOORS TO MAKE THE PANEL DUST AND VERMIN PROOF.
6. THE PANEL SHALL BE PAINTED WITH ELECTRO STATIC POWDER COATING PAINT AFTER 7 TANK PROCESS.
7. BUS BAR SHALL BE OF ELECTROLYTIC GRADE ALUMINIUM AND SUPPORTED ON NON HYGROSCOPIC, NON CARBONISING, CORROSION RESISTANCE, EPOXY RESIN CAST INSULATORS.
8. BUS BAR SHALL BE INSULATED WITH HEAT SHRINKABLE HT SLEEVES.
9. EARTH BUS SHALL BE PROVIDED THROUGHOUT THE PANEL LENGTH.
10. CONTROL WIRING SHALL BE CARRIED OUT WITH 1100V GRADE HT INSULATED COPPER FLEXIBLE WIRE AND FOLLOWING COLOUR STANDARD.
 

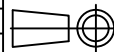
A. CT CIRCUIT	- 2.5 SQ MM RED, YELLOW, BLUE, GREEN
B. PT CIRCUIT	- 2.5 SQ MM RED, YELLOW, BLUE, BLACK
C. AC CONTROL CKT.	- 2.5 SQ MM RED, BLACK
D. DC CIRCUIT	- 2.5 SQ MM GRAY
E. INTER PANEL	- 2.5 SQ MM BLACK/GRAY
F. GROUNDING	- 2.5 SQ MM GREEN
11. THE MINIMUM CLEARANCE/CREPAGE DISTANCE IN MAIN BUSBARS SHALL BE AS FOLLOWS :
 

A. BETWEEN PHASE TO PHASE	- 110 MM
C. BETWEEN PHASE TO EARTH	- 80 MM
12. BLACK ALUMINUM COMPUTERIZED PRINTED NAME PLATE SHALL BE PROVIDED ON EACH PANEL.

JOB NO. L-2126



5						
4						
3						
2						
1						
NO.	ECN NO.	REVISION	DATE	CHD.	SCALE	N.T.S.



SCALE




ADLITES ELECTRICALS

ALL DIMENSIONS ARE IN M.M. AND  
REQUIREMENT CHANGE AS PER  
MANUFACTURING REQUIREMENT  
AND ENGINEERING TOLERANCES.

SHEET NO.	1
NO. OF SHEET	1

TITLE	GENERAL NOTES	DSGN.	AASID
PRODUCT	11kV, 1250A, 26.3kA INDOOR VCB PANEL (INCOMING CUM OUTGOING VCB PANEL)	DRN.	AASID
CLIENT	M/s ADLITES ELECTRICALS	CHD.	G.M. RAI
CONSULTANT	----	APPD.	
CUSTOMER	----	DATE	12.12.2022
PROJECT	----	DRG. NO.	PB570/102

THIS DRG. IS THE SOLE PROPERTY OF UNAUTHORISED USE OF THIS DRG. OR MAKING PRODUCT AS PER OUR DRG. WITHOUT OUR PERMISSION OR ANY OTHER MISUSE IS NOT PERMITTED.

51

52

53

54

55

56

57

58

IF IN DOUBT ASK

F

E

D

C

B

A

F

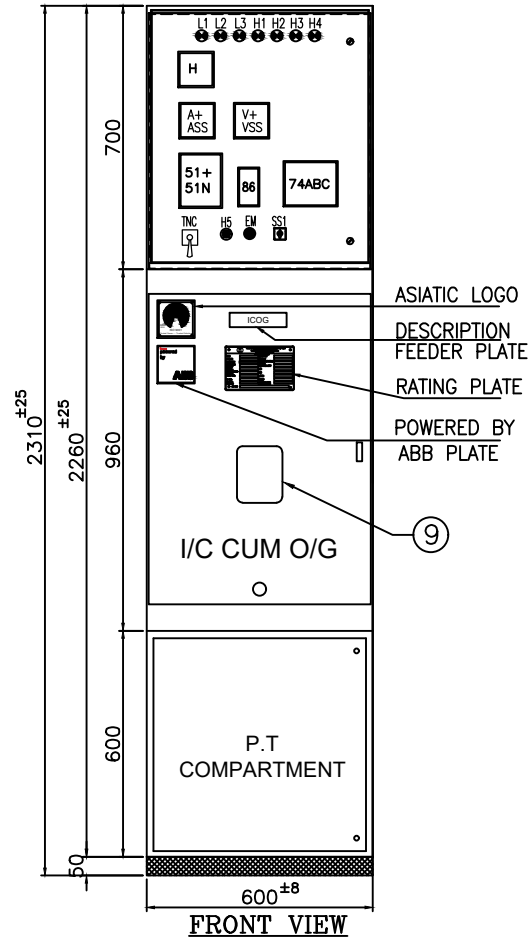
E

D

C

B

A



LEGENDS	DESCRIPTION
51+51N	- 30/C +1E/F NUMERICAL RELAY
86	- MASTER TRIP RELAY
74ABC	- AUX. RELAY FOR TRF. FAULTS
A+ASS	- DIGITAL AMMETER WITH ASS
V+VSS	- DIGITAL VOLTMETER WITH VSS
TNC	- BREAKER CONTROL SWITCH
SS1	- SELECTOR SWITCH L/R
L1	- 'R' PHASE INDICATION
L2	- 'Y' PHASE INDICATION
L3	- 'B' PHASE INDICATION
H1	- 'R' BREAKER ON INDICATION
H2	- 'G' BREAKER OFF INDICATION
H3	- 'A' BREAKER TRIP INDICATION
H4	- 'B' SPRING CHARGE INDICATION
H5	- 'R' TRIP CIRCUIT HELATHY ILL. P.B.
EM	- EMERGENCY PUSH BUTTON
H	- HOOTER

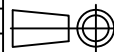
**NOTE:- DIMENSION, ORIENTATION & LAYOUT OF DRAWING  
MAY CHANGE DURING DETAILED ENGINEERING**

JOB NO. L-2126

**ABB**  
SYSTEM HOUSE

QTY. 4NOS.

5					
4					
3					
2					
1					
NO.	ECN NO.	REVISION	DATE	CHD.	N.T.S.



SCALE



ADLITE ELECTRICALS

**ABB**  
SYSTEM HOUSE

ALL DIMENSIONS ARE IN M.M. AND  
REQUIREMENT CHANGE AS PER  
MANUFACTURING REQUIREMENT  
AND ENGINEERING TOLERANCES.

SHEET NO.	1
NO. OF SHEET	2

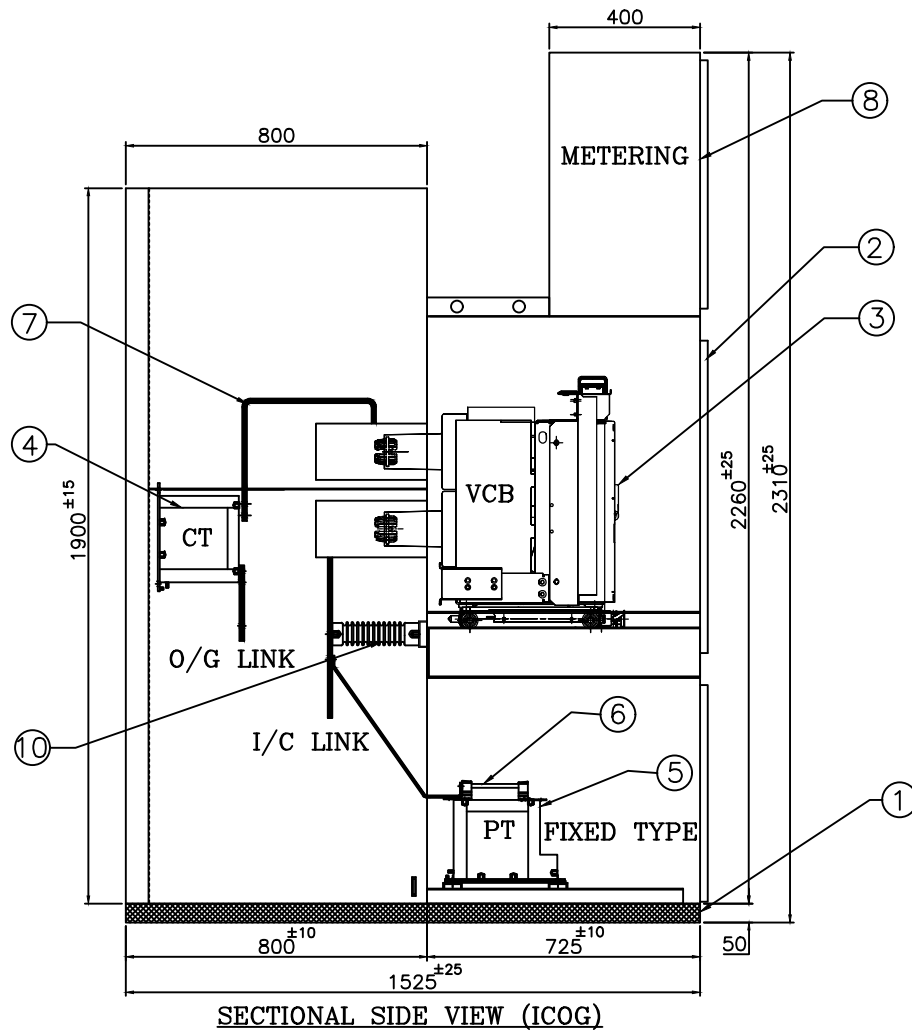
TITLE	GENERAL ARRANGEMENT	DSGN.	AASID
PRODUCT	11kV,1250A, 26.3kA INDOOR VCB PANEL (INCOMING CUM OUTGOING VCB PANEL)	DRN.	AASID
CLIENT	M/s ADLITE ELECTRICALS	CHD.	G.M. RAI
CONSULTANT	----	APPD.	
CUSTOMER	----	DATE	12.12.2022
PROJECT	----	DRG. NO.	
			PB570/201

THIS DRG. IS THE SOLE PROPERTY OF UNAUTHORISED USE OF THIS DRG. OR MAKING PRODUCT AS PER OUR DRG. WITHOUT OUR PERMISSION OR ANY OTHER MISUSE IS NOT PERMITTED.

THIS DRG. IS THE SOLE PROPERTY OF UNAUTHORISED USE OF THIS DRG. OR MAKING PRODUCT AS PER OUR DRG. WITHOUT OUR PERMISSION OR ANY OTHER MISUSE IS NOT PERMITTED.

51                      52                      53                      54                      55                      56                      57                      58

IF IN DOUBT ASK

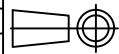


S.NO.	DESCRIPTION	
A.	<b>SHEET THICKNESS:</b>	
I)	2mm FOR NON LOAD BEARING MEMBERS	
II)	2mm FOR LOAD BEARING MEMBERS	
III)	3mm FOR GLAND PLATE	
IV)	3mm FOR BASE FRAME	
B.	<b>FINISH : RAL 7032</b>	
C.	<b>CABLE ENTRY: BOTTOM</b>	
D.	<b>BUS BAR: ALUMINIUM</b>	
I)	1 x 50 x 12 SQ.MM. PER PHASE FOR MAIN	
II)	1 x 50 x 6 SQ.MM. FOR MAIN EARTH	
III)	1 x 25 x 3 SQ.MM. FOR P.T. DROPPER	
E.	<b>BUS BAR CLEARANCE</b>	
I)	PHASE TO PHASE : NOT LESS THAN 110mm	
II)	PHASE TO EARTH : NOT LESS THAN 80mm	
III)	PHASE IDENTIFICATION : COLOUR STICKER	
IV)	BUS BAR INSULATOR : 11KV	
	<b>DESCRIPTION</b>	
1.	SUPPORT STRUCTURE	
2.	INDOOR TYPE VCB HT PANEL	
3.	11KV, 1250A, 26.3kA EDO VCB FOR I/D	
4.	C.T. RATIO 200-100/5-5A : 3Nos.	
5.	SINGLE PHASE FIXED TYPE P.T. : 3Nos.	
6.	PT FUSE : 3Nos.	
7.	BUSBAR (HT SLEEVED) : AS REQ.	
8.	INSTRUMENT CHAMBER DOOR : AS REQ.	
9.	INSPECTION WINDOW : AS REQ.	
10.	BUSBAR SUPPORT INSULATOR : AS REQ.	
	<b>UNSPECIFIED TOLERANCE</b>	
ABOVE	UPTO & INCLUDING	TOL.
0.5	6.0	±0.1
6.0	30.0	±0.3
30.0	120.0	±0.5
120.0	315.0	±1.0
315.0	1000.0	±2.0
1000.0	2500.0	±3.0

**NOTE:- DIMENSION, ORIENTATION & LAYOUT OF DRAWING MAY CHANGE DURING DETAILED ENGINEERING**

JOB NO. L-2126

5					
4					
3					
2					
1					
NO.	ECN NO.	REVISION	DATE	CHD.	N.T.S.



SCALE

N.T.S.



ALL DIMENSIONS ARE IN M.M. AND REQUIREMENT CHANGE AS PER MANUFACTURING REQUIREMENT AND ENGINEERING TOLERANCES.

SHEET NO.	2
NO. OF SHEET	2

TITLE	GENERAL ARRANGEMENT	DSGN.	AASID
PRODUCT	11KV,1250A, 26.3kA INDOOR VCB PANEL (INCOMING CUM OUTGOING VCB PANEL)	DRN.	AASID
CLIENT	M/s ADLITE ELECTRICALS	CHD.	G.M. RAI
CONSULTANT	----	APPD.	
CUSTOMER	----	DATE	12.12.2022
PROJECT	----	DRG. NO.	
			PB570/201



QTY. 4NOS.



61

62

63

64

65

66

67

68

IF IN DOUBT ASK

## BILL OF MATERIAL

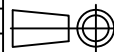
S.No.	LEGENDS	DESCRIPTION	MAKE	TYPE	RATING	QTY.
		<b>VACUUM CIRCUIT BREAKER</b>				
1	VCB	11KV 1250A VACCUM CIRCUIT BREAKER DRAW OUT TYPE HAVING FOLLOWING ACCESSORIES. 220V AC SPRING CHARGING MOTOR 24V DC CLOSING COIL 24V DC SHUNT TRIP COIL AUX. CONTACT: 6NO+6NC OPERATING COUNTER MECHANICAL ON/OFF PUSH BUTTONS MECHANICAL INDICATORS FOR ON/OFF, SPRING CHARGED/DISCHARGED MANUAL SPRING CHARGING DEVICE.	ABB	V-D4	1250A, TP, 26.3kA-3SEC.	01
		<b>PROTECTION RELAYS &amp; ACCESSORIES</b>				
2	51+51N	3 O/C +1 EARTH/FAULT NUMERICAL RELAY	C&S	CSENX101	24V DC, CTR/5A	01
3	86	MASTER TRIP RELAY	C&S	CLR	24V DC	01
4	74ABC	AUX. RELAY 3 ELEMENT FOR TRF. PROTECTION	C&S	CAR	24V DC	01
5	AP	PLA RELAY WITH BASE FOR ANTI PUMPING	ABB/PLA	94	24V DC, 2C/0	01
		<b>INSTRUMENT TRANSFORMERS</b>				
6	C.T.	DUAL CORE, DUAL RATIO CURRENT TRANSFORMER 11KV RESIN CAST TYPE	SAVIO/AVCON/ NORTEX	WPL, RESIN CAST	RATIO: 200-100/5-5A CORE-1:15VA CL-0.5 CORE-2:15VA CL-5P10	03
7	P.T.	POTENTIAL TRANSFORMER INDOOR SINGLE PHASE RESIN CAST, FIXED TYPE		RESIN CAST	RATIO:11KV/ $\sqrt{3}$ /110V/ $\sqrt{3}$ , 100VA, CL -0.5	03
		<b>FUSE</b>				
8	H.F.	12KV,3.15A P.T. FUSE LINKS	PANICKER/ REPUTED	--	3.15A,11KV	03
		<b>METERS</b>				
9	V+VSS	DIGITAL VOLTMETER WITH INBUILT VSS FLUSH TYPE, 96 Sq.mm	SECURE/ ELMEASURE	--	PTR 11KV/110V AC	01
10	A+ASS	DIGITAL AMMETER WITH INBUILT ASS FLUSH TYPE, 96 Sq.mm		--	CTR / 5A, CL-0.5	01



JOB NO. L-2126

QTY. 4NOS.

5					
4					
3					
2					
1					
NO.	ECN NO.	REVISION	DATE	CHD.	SCALE N.T.S.



ADLITE ELECTRICALS



 ALL DIMENSIONS ARE IN M.M. AND  
 REQUIREMENT CHANGE AS PER  
 MANUFACTURING REQUIREMENT  
 AND ENGINEERING TOLERANCES.

SHEET NO.	1
NO. OF SHEET	3

TITLE	BILL OF MATERIAL	DSGN.	AASID
PRODUCT	11KV,1250A, 26.3kA INDOOR VCB PANEL (INCOMING CUM OUTGOING VCB PANEL)	DRN.	AASID
CLIENT	M/s ADLITE ELECTRICALS	CHD.	G.M. RAI
CONSULTANT	----	APPD.	
CUSTOMER	----	DATE	12.12.2022
PROJECT	----	DRG. NO.	PB570/401

 THIS DRG. IS THE SOLE PROPERTY OF  
 UNAUTHORISED USE OF THIS DRG. OR, MAKING PRODUCT AS PER OUR DRG.  
 WITHOUT OUR PERMISSION OR ANY OTHER MISUSE IS NOT PERMITTED

61

62

63

64

65

66

67

68

IF IN DOUBT ASK

## BILL OF MATERIAL

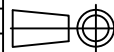
S.No.	LEGENDS	DESCRIPTION	MAKE	TYPE	RATING	QTY.
		<b>INDICATING LIGHTS</b>				
11	L1	RED	ABB/ESSBEE	LED	63.5V AC	01
	L2	YELLOW				01
	L3	BLUE				01
	H1	RED			24V DC	01
	H2	GREEN				01
	H3	AMBER				01
	H4	BLUE				01
		<b>PUSH BUTTON</b>				
12	H5	RED ILLUMINATED PUSH BUTTON	ABB/ESSBEE	LED	24V DC	01
		<b>CONTROL MCB</b>				
13	MCB	MINIATURE CIRCUIT BREAKER	ABB/HAVELLS	SP, 10KA	6A	09
				DP, 10KA	6A	02
		<b>MISCELLANEOUS</b>				
14	PP	POWER PACK 220V AC/24V DC, 7AH	MAHAMAI/ADITYA	7 AH	24V DC	01
15	SH	HOOTER 96 SQ.MM.	ADITYA	----	24V DC	01
16	SH	SPACE HEATER	HOTWELL	STRIPS	100WATT, 230V AC	01
17	TH	THERMOSTAT	ELCON	1 C/O	30-110DEG. 230V AC	01
18	SSW	SINGLE PHASE THREE PIN PLUG & SOCKET	ANCHOR	3PIN	15A, 240V AC	01
19	DS	DOOR LIMIT SWITCH FOR CUBICAL LAMP	KAYCEE	2A	230V AC	01
20	NL	NEUTRAL LINK	FTC	----	32A	03
21	EM	EMERGENCY PUSH BUTTON	ESBEE	----	2NO+1NC	01
22	SS1	SELECTOR SWITCH	SALZER	2P 2W WITH OFF	6A	01
23	LED	LED FOR PANEL ILLUMINATION	SYSKA/CROMPTON	5W, LED	240V AC	01
24	--	HOLDER FOR PANEL ILLUMINATION	ANCHOR	--	--	01
25	TS	TOGGLE SWITCH FOR HEATER	KAYCEE	----	10A	01
26	TNC	BREAKER CONTROL SWITCH	SALZER	TNC	25A 1NO+NC	01
27	CTL	CT TERMINAL 6MM	CONNECTWEL	----	----	20
28	--	STOPPER AND END PLATE FOR CT TERMINAL	CONNECTWEL	----	----	03



QTY. 4NOS.

JOB NO. L-2126

5					
4					
3					
2					
1					
NO.	ECN NO.	REVISION	DATE	CHD.	N.T.S.



SCALE




ADLITE ELECTRICALS

ALL DIMENSIONS ARE IN M.M AND  
REQUIREMENT CHANGE AS PER  
MANUFACTURING REQUIREMENT  
AND ENGINEERING TOLERANCES.

SHEET NO.	2
NO. OF SHEET	3

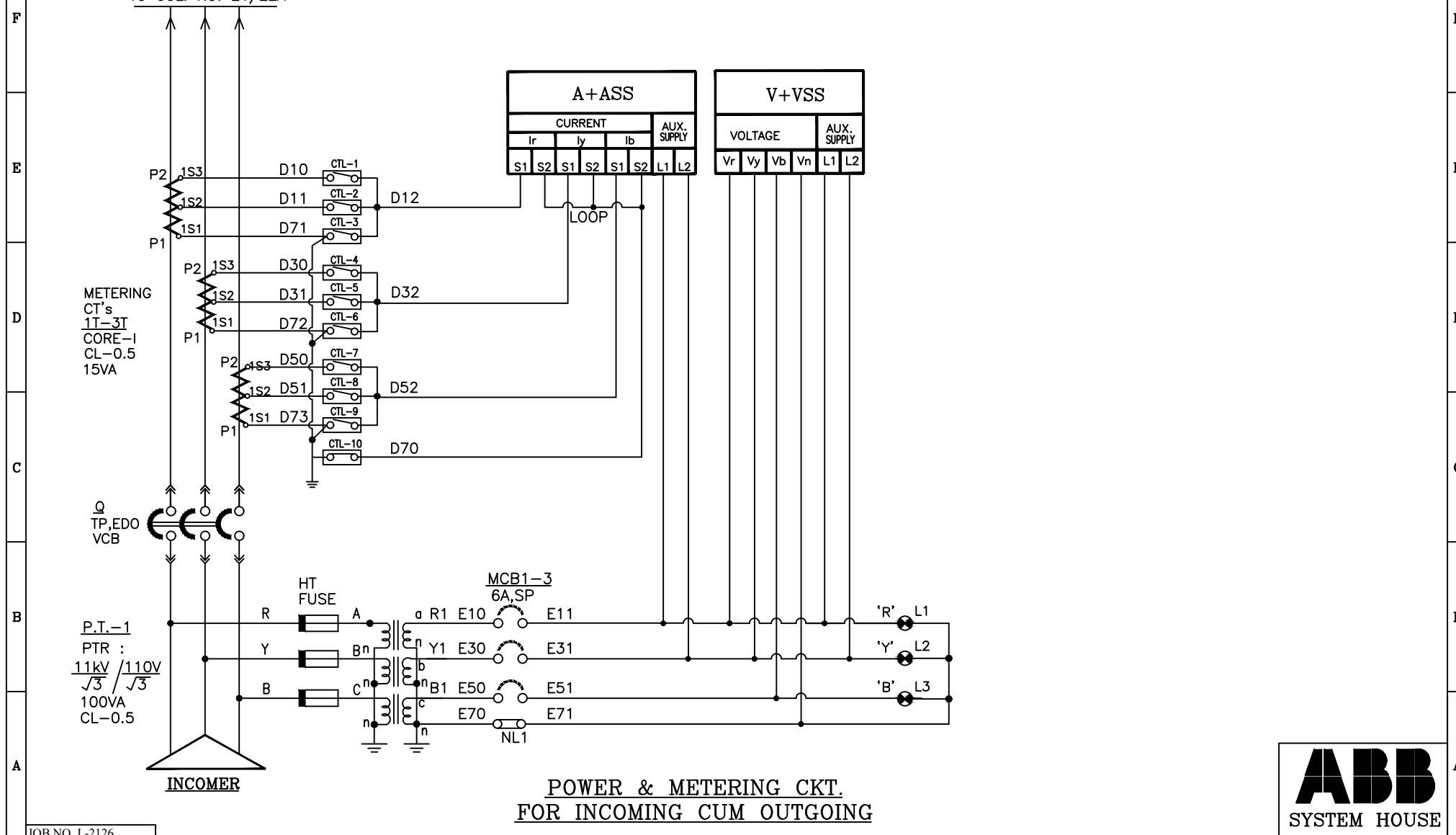
TITLE	BILL OF MATERIAL	DSGN.	AASID
PRODUCT	11KV,1250A, 26.3kA INDOOR VCB PANEL (INCOMING CUM OUTGOING VCB PANEL)	DRN.	AASID
CLIENT	M/s ADLITE ELECTRICALS	CHD.	G.M. RAI
CONSULTANT	----	APPD.	
CUSTOMER	----	DATE	12.12.2022
PROJECT	----	DRG. NO.	PB570/401

THIS DRG. IS THE SOLE PROPERTY OF  
UNAUTHORISED USE OF THIS DRG. OR, MAKING PRODUCT AS PER OUR DRG.  
WITHOUT OUR PERMISSION OR ANY OTHER MISUSE IS NOT PERMITTED



IF IN DOUBT ASK

11 12 13 14 15 16 17 18



**POWER & METERING CKT.  
FOR INCOMING CUM OUTGOING**



THIS DRG. IS THE SOLE PROPERTY OF UNAUTHORISED USE OF THIS DRG. OR MAKING PRODUCT AS PER OUR DRG. WITHOUT OUR PERMISSION OR ANY OTHER MISUSE IS NOT PERMITTED.

JOB NO. L-2126

5					
4					
3					
2					
1					
NO.	ECN NO.	REVISION	DATE	CHD.	N.T.S.



**ADLITE ELECTRICALS**



ALL DIMENSIONS ARE IN M.M. AND REQUIREMENT CHANGE AS PER MANUFACTURING REQUIREMENT AND ENGINEERING TOLERANCES.

SHEET NO.	1
NO. OF SHEET	6

TITLE	SCHEMATIC DIAGRAM	DSGN.	AASID
PRODUCT	11kV, 1250A, 26.3kA INDOOR VCB PANEL (INCOMING CUM OUTGOING VCB PANEL)	DRN.	AASID
CLIENT	M/s ADLITE ELECTRICALS	CHD.	G.M. RAI
CONSULTANT	----	APPD.	
CUSTOMER	----	DATE	12.12.2022
PROJECT	----	DRG. NO.	PB570/501

21

22

23

24

25

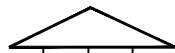
26

27

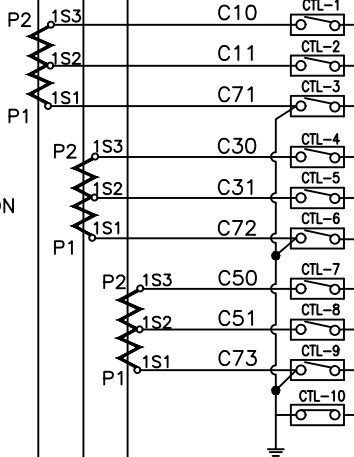
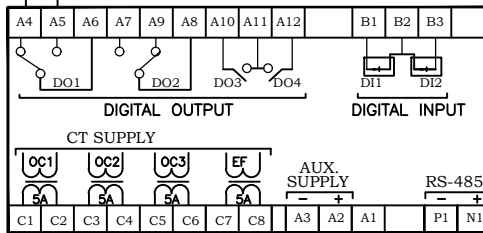
28

IF IN DOUBT ASK

OUTGOING



TO TRIP CKT.  
(43D)  
K21  
K26



PROTECTION  
CT's  
CORE-II  
CL-5P10  
15VA

FROM COL. NO. 11/12F

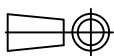
### POWER & METERING CKT. FOR INCOMING CUM OUTGOING



JOB NO. L-2126

THIS DRG. IS THE SOLE PROPERTY OF  
UNAUTHORISED USE OF THIS DRG. OR, MAKING PRODUCT AS PER OUR DRG.  
WITHOUT OUR PERMISSION OR ANY OTHER MISUSE IS NOT PERMITTED

5				
4				
3				
2				
1				
NO.	ECN NO.	REVISION	DATE	CHD.
				N.T.S.



SCALE  
N.T.S.



ADLITE ELECTRICALS



ALL DIMENSIONS ARE IN M.M. AND  
REQUIREMENT CHANGE AS PER  
MANUFACTURING REQUIREMENT  
AND ENGINEERING TOLERANCES.

SHEET NO.	2
NO. OF SHEET	6

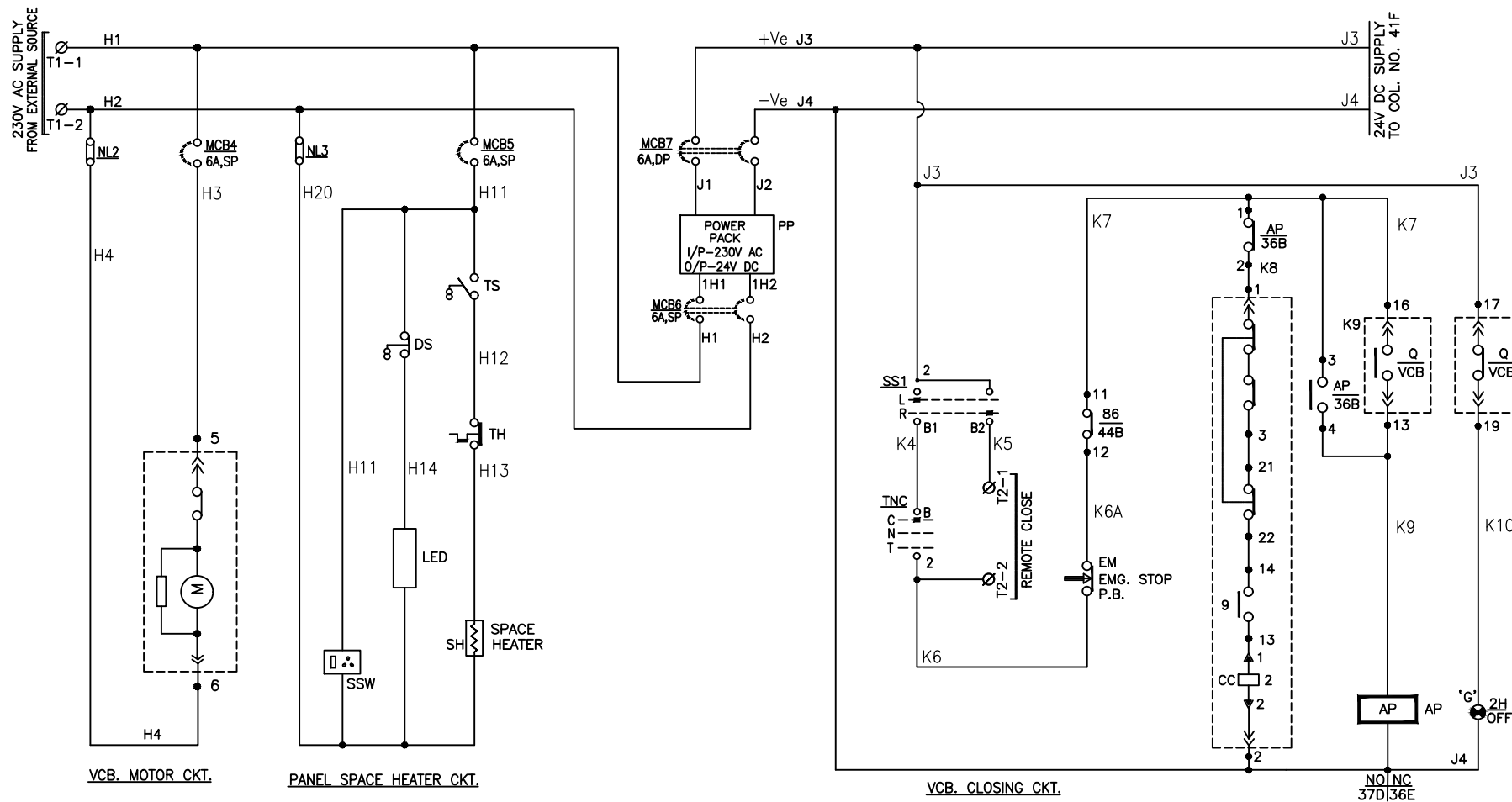
TITLE	SCHEMATIC DIAGRAM
PRODUCT	11kV,1250A, 26.3kA INDOOR VCB PANEL (INCOMING CUM OUTGOING VCB PANEL)
CLIENT	M/s ADLITE ELECTRICALS
CONSULTANT	----
CUSTOMER	----
PROJECT	----

DSGN.	AASID
DRN.	AASID
CHD.	G.M. RAI
APPD.	
DATE	12.12.2022
DRG. NO.	PB570/501

THIS DRG. IS THE SOLE PROPERTY OF UNAUTHORISED USE OF THIS DRG. OR MAKING PRODUCT AS PER OUR DRG. WITHOUT OUR PERMISSION OR ANY OTHER MISUSE IS NOT PERMITTED.

31 32 33 34 35 36 37 38

IF IN DOUBT ASK



**CONTROL CKT. DIAGRAM  
FOR INCOMING CUM OUTGOING**



JOB NO. L-2126

5					
4					
3					
2					
1					
NO.	ECN NO.	REVISION	DATE	CHD.	N.T.S.

**ADLITE ELECTRICALS**

**ABB SYSTEM HOUSE**

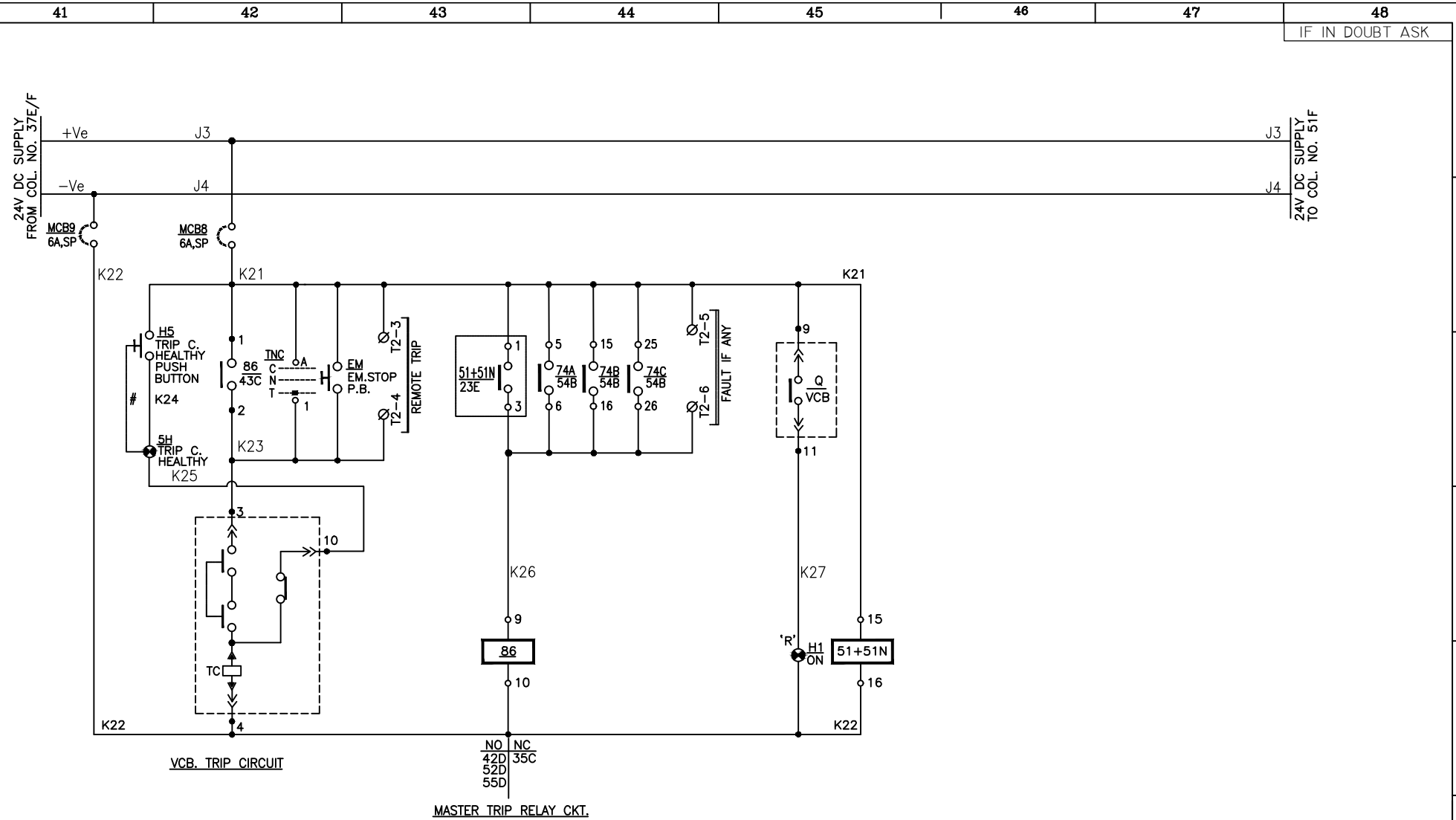
ALL DIMENSIONS ARE IN M.M. AND REQUIREMENT CHANGE AS PER MANUFACTURING REQUIREMENT AND ENGINEERING TOLERANCES.

TITLE	SHEMATIC DIAGRAM
PRODUCT	11kV,1250A, 26.3kA INDOOR VCB PANEL (INCOMING CUM OUTGOING VCB PANEL)
CLIENT	M/s ADLITE ELECTRICALS
CONSULTANT	----
CUSTOMER	----
PROJECT	----

SHEET NO.	3
NO. OF SHEET	6

TITLE	SHEMATIC DIAGRAM	DSGN.	AASID
PRODUCT	11kV,1250A, 26.3kA INDOOR VCB PANEL (INCOMING CUM OUTGOING VCB PANEL)	DRN.	AASID
CLIENT	M/s ADLITE ELECTRICALS	CHD.	G.M. RAI
CONSULTANT	----	APPD.	
CUSTOMER	----	DATE	12.12.2022
PROJECT	----	DRG. NO.	
			PB570/501

THIS DRG. IS THE SOLE PROPERTY OF UNAUTHORISED USE OF THIS DRG. OR MAKING PRODUCT AS PER OUR DRG. WITHOUT OUR PERMISSION OR ANY OTHER MISUSE IS NOT PERMITTED.



IF IN DOUBT ASK

### CONTROL CKT. DIAGRAM FOR INCOMING CUM OUTGOING



5				
4				
3				
2				
1				
NO.	ECN NO.	REVISION	DATE	CHD.

SCALE
N.T.S.

**ADLITE ELECTRICALS**

ALL DIMENSIONS ARE IN M.M. AND REQUIREMENT CHANGE AS PER MANUFACTURING REQUIREMENT AND ENGINEERING TOLERANCES.

SHEET NO.	4
NO. OF SHEET	6

TITLE	SCHEMATIC DIAGRAM	DSGN.	AASID
PRODUCT	11kV, 1250A, 26.3kA INDOOR VCB PANEL (INCOMING CUM OUTGOING VCB PANEL)	DRN.	AASID
CLIENT	M/s ADLITE ELECTRICALS	CHD.	G.M. RAI
CONSULTANT	----	APPD.	
CUSTOMER	----	DATE	12.12.2022
PROJECT	----	DRG. NO.	PB570/501

IF IN DOUBT ASK

51 52 53 54 55 56 57 58

F  
E  
D  
C  
B  
A

**CONTROL CKT. DIAGRAM  
FOR INCOMING CUM OUTGOING**

THIS DRG. IS THE SOLE PROPERTY OF UNAUTHORISED USE OF THIS DRG. OR MAKING PRODUCT AS PER OUR DRG. WITHOUT OUR PERMISSION OR ANY OTHER MISUSE IS NOT PERMITTED.

JOB NO. L-2126

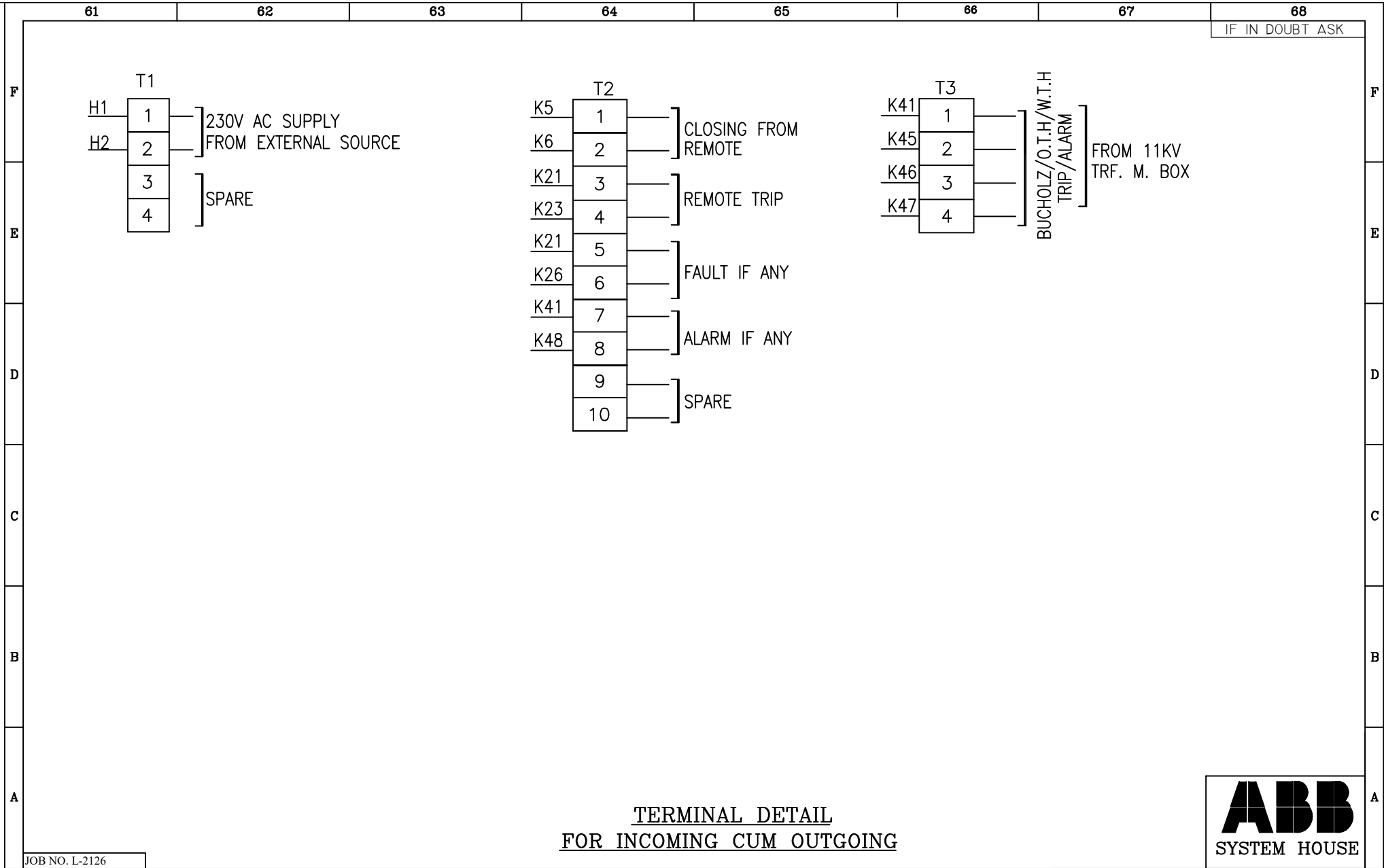
5				
4				
3				
2				
1				
NO.	ECN NO.	REVISION	DATE	CHD.

<p>SCALE</p> <p>N.T.S.</p>	<p>ADLITE ELECTRICALS</p>	<p>ABB SYSTEM HOUSE</p>	<p>ALL DIMENSIONS ARE IN M.M. AND REQUIREMENT CHANGE AS PER MANUFACTURING REQUIREMENT AND ENGINEERING TOLERANCES.</p>	<p>SHEET NO. 5</p> <p>NO. OF SHEET 6</p>
----------------------------	---------------------------	-------------------------	---	--

TITLE	SCHEMATIC DIAGRAM
PRODUCT	11kV, 1250A, 26.3kA INDOOR VCB PANEL (INCOMING CUM OUTGOING VCB PANEL)
CLIENT	M/s ADLITE ELECTRICALS
CONSULTANT	----
CUSTOMER	----
PROJECT	----

DSGN.	AASID
DRN.	AASID
CHD.	G.M. RAI
APPD.	
DATE	12.12.2022
DRG. NO.	PB570/501

THIS DRG. IS THE SOLE PROPERTY OF ADLITE ELECTRICALS. UNAUTHORISED USE OF THIS DRG. OR MAKING PRODUCT AS PER OUR DRG. WITHOUT OUR PERMISSION OR ANY OTHER MISUSE IS NOT PERMITTED.



**TERMINAL DETAIL  
FOR INCOMING CUM OUTGOING**



JOB NO. L-2126

5					
4					
3					
2					
1					
NO.	ECN NO.	REVISION	DATE	CHD.	N.T.S.

SCALE  
N.T.S.

ALL DIMENSIONS ARE IN M.M. AND REQUIREMENT CHANGE AS PER MANUFACTURING REQUIREMENT AND ENGINEERING TOLERANCES.

SHEET NO.	6
NO. OF SHEET	6

TITLE	SCHEMATIC DIAGRAM	DSGN.	AASID
PRODUCT	11KV,1250A, 26.3kA INDOOR VCB PANEL (INCOMING CUM OUTGOING VCB PANEL)	DRN.	AASID
CLIENT	M/s ADLITE ELECTRICALS	CHD.	G.M. RAI
CONSULTANT	----	APPD.	
CUSTOMER	----	DATE	12.12.2022
PROJECT	----	DRG. NO.	PB570/501